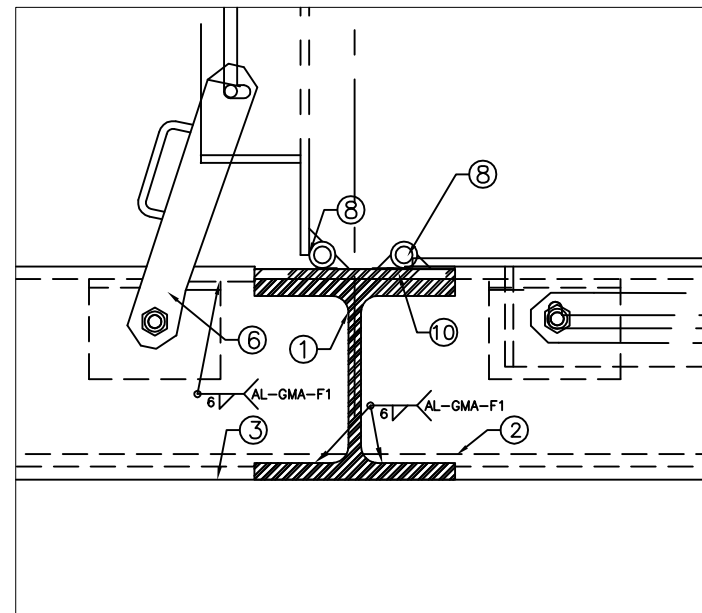


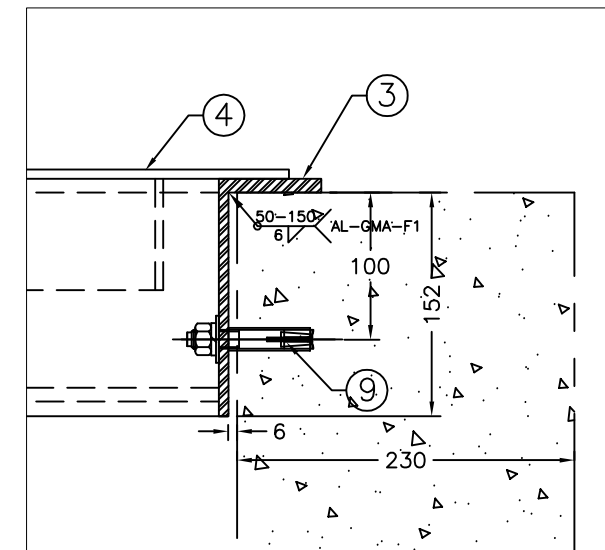
THIS DOCUMENT CONTAINS PROPRIETARY INFORMATION AND OTHER RIGHTS WHICH ARE THE SOLE AND EXCLUSIVE PROPERTY OF MSU MISSISSAUGA LTD.

POSSESSION OF THIS MATERIAL DOES NOT CONVEY OR TRANSFER ANY RIGHTS THEREIN, AND REPRODUCTION, USE, COPYING OR DISCLOSURE TO OTHERS IS FORBIDDEN WITHOUT THE PRIOR WRITTEN CONSENT OF AN OFFICER OF MSU MISSISSAUGA LTD.

© MSU MISSISSAUGA LTD. - JULY 23RD, 2014



**DETAIL A**



**DETAIL B**

#	QTY.	MATERIAL	DESCRIPTION
1	1	ALUM. 6061-T6	150X150X10mm H-BEAM SUPPORT
2	2	ALUM. 6061-T6	152x76x6.4mm I-BEAM SUPPORT
3	1	ALUM. 6061-T6	76X10 / 152X6mm ANGLE FRAME ROLLED AND WELDED CONSTRUCTION
4	5	ALUM. 6061-T6	6.35mm TREAD PLATE
5	24	ALUM. 6061-T6	76 X 6mm REINFORCING FLAT BAR
6	4	STAINLESS STEEL 304	90° HOLD OPEN ARM c/w BRACKET WELDED TO u/s OF ITEM#2 FLANGE
7	4	ALUM. 6061-T6	LIFT HANDLE
8	6	ALUM. 6061-T6	WELD ON HINGE
9	24	STAINLESS STEEL 304	1/2" DROP-IN ANCHORS
10	1	ALUM. 6061-T6	6" X 3/8" THICK SPACER
11	4	ALUM. 6061-T6	LOCK TAB
12	2	CAST STEEL	LIFTING LUG & THREADED INSERT

NOTE: 1) ALL ALUMINUM SURFACES IN CONTACT WITH CONCRETE SHALL RECEIVE 2 COATS OF BITUMINOUS PAINT.  
 2) WELDING SHALL CONFORM TO CSA W47.2-R2008 CSA W59.2-R2008  
 3) HATCH HAS BEEN DESIGNED TO WITHSTAND 300 LBS./SQ. FT. LIVE LOAD

PROJECT	LOCATION PROJECT
CONTRACTOR	CONTRACTOR
ARCHT/ENGR	ENGINEER
QTY.	PROJECT NO.
1	#

TITLE					
MSU ALUM. 4 DOOR CIRCLE HATCH FOR 2438mm (96") DIA. MANHOLE					
NO.	DATE	BY	DATE	DWG. BY:	P.L. NO.
1				SCJ	CATA
SCALE			DESIGNED BY:		
NTS			AL-3		

REGISTERED PROFESSIONAL ENGINEER  
 CIVIL  
 R.W. CUMMING  
 JUN 29, 2011  
 PROVINCE OF ONTARIO

REVIEWED  
 VIRTUAL#25387

**VIRTUAL**  
 engineers  
 Consulting Engineers

www.virtualengineers.com  
 15 WERTHEIM CRT. # 402 TEL: (905) 707-0704  
 RICHMOND HILL, ONTARIO L4B 3H7 1-(888) 337-8833  
 FAX: (905) 707-1604