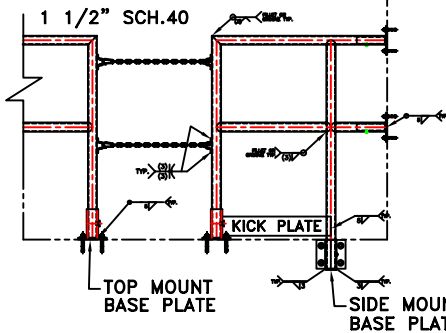


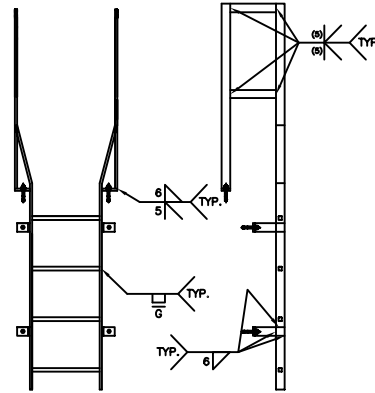
TYPICAL MSU ALUMINUM RAILING



PROCEDURES AND TICKETS REQUIRED:

- AL-GTA-B1
- AL-GTA-B2
- AL-GTA-F1
- AL-GTA-F2
- AL-GMA-FB2

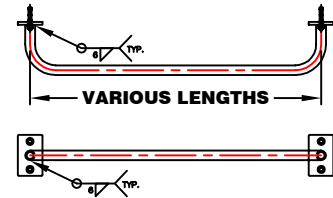
TYPICAL MSU ALUMINUM LADDER WITH EXTENSIONS



PROCEDURES AND TICKETS REQUIRED:

- AL-GMA-B1A
- AL-GMA-E1
- AL-GMA-F1
- AL-GMA-F3

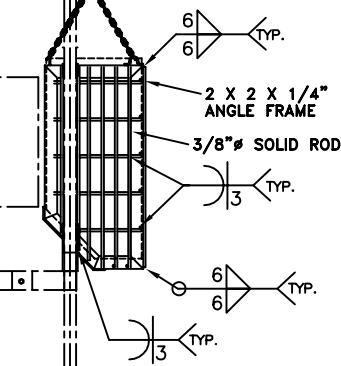
TYPICAL MSU ALUMINUM GRAB BAR



PROCEDURES & TICKETS REQUIRED:

- AL-GTA-B2
- AL-GTA-F1

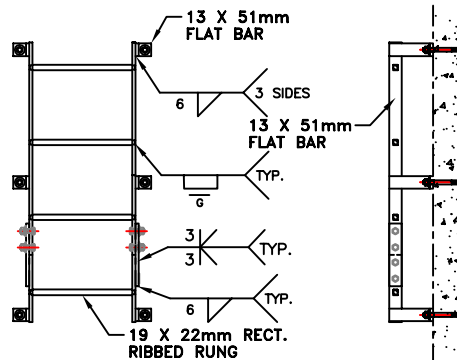
TYPICAL MSU ALUMINUM TRASH BASKET



PROCEDURES & TICKETS REQUIRED:

- AL-GTA-F1
- AL-GMA-FB2

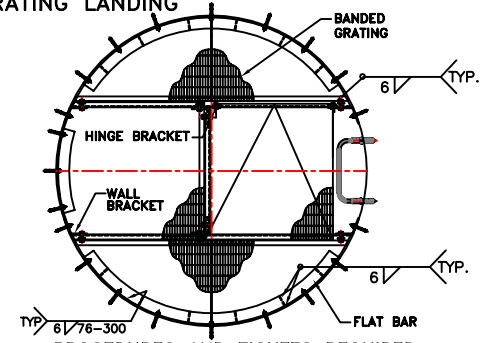
TYPICAL OPSD 406.010 ALUMINUM FLAT BAR LADDER



PROCEDURES AND TICKETS REQUIRED:

- AL-GMA-E1
- AL-GMA-F1
- AL-GMA-P2

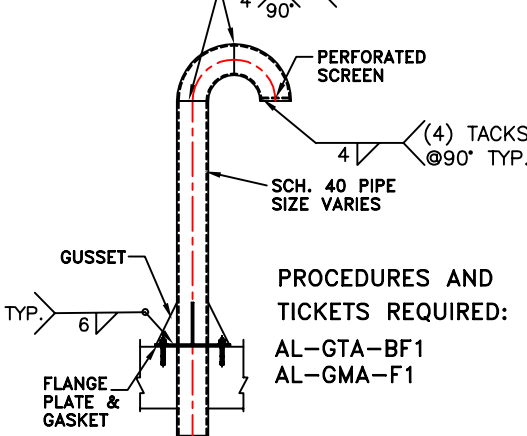
TYPICAL MSU ALUMINUM GRATING LANDING



PROCEDURES AND TICKETS REQUIRED:

- AL-GMA-E1
- AL-GMA-F1
- AL-GMA-P2

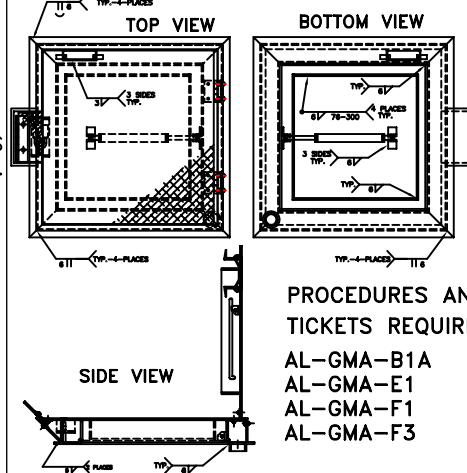
TYPICAL MSU ALUMINUM VENT PIPE



PROCEDURES AND TICKETS REQUIRED:

- AL-GTA-BF1
- AL-GMA-F1

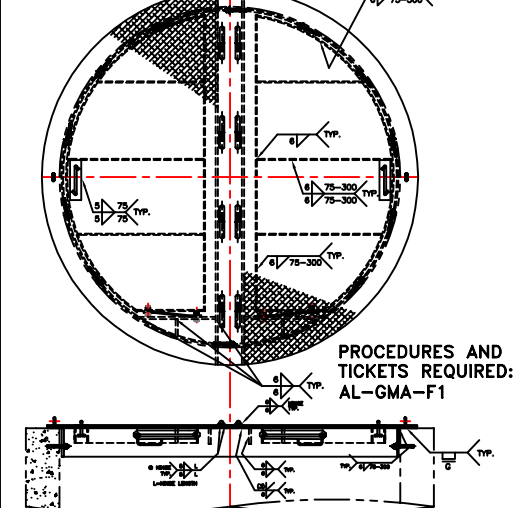
TYPICAL MSU ALUMINUM ACCESS HATCH



PROCEDURES AND TICKETS REQUIRED:

- AL-GMA-B1A
- AL-GMA-E1
- AL-GMA-F1
- AL-GMA-F3

TYPICAL MSU ALUMINUM ROUND ACCESS HATCH



PROCEDURES AND TICKETS REQUIRED:

- AL-GMA-F1

TYPICAL PROCEDURES FOR ALUMINUM WELDING

MSU IS CERTIFIED WITH WELDER QUALIFICATIONS FOR 32 DIFFERENT PROCEDURES

MSU
MISSISSAUGA LTD.
 PHONE: (905) 823-4340
 FAX: (905) 823-4947
 WATTS: (800) 268-5336
 website-www.msmississauga.com

TITLE
REQUIRED
CSA STANDARD - CWB CERTIFICATION
ALUMINUM WELDING PROCEDURES FOR
MISCELLANEOUS METAL SPECIFICATIONS

DATE 13/4/16	DWG. BY: CDT	DWG. NO.
SCALE NTS	CHK'D BY:	ALU-DATA

NOTE: COMPANIES CERTIFIED TO WELD ALUMINUM WILL BE REGISTERED AT CWB IN THIS CATEGORY * CSA W47.2 & CSA W59.2

THIS DOCUMENT CONTAINS PROPRIETARY INFORMATION AND OTHER RIGHTS WHICH ARE THE SOLE AND EXCLUSIVE PROPERTY OF MSU MISSISSAUGA LTD.

POSSESSION OF THIS MATERIAL DOES NOT CONVEY OR TRANSFER ANY RIGHTS THEREIN, AND REPRODUCTION, USE, COPYING OR DISCLOSURE TO OTHERS IS FORBIDDEN WITHOUT THE PRIOR WRITTEN CONSENT OF AN OFFICER OF MSU MISSISSAUGA LTD.

© MSU MISSISSAUGA LTD. - APRIL 6TH, 2002.