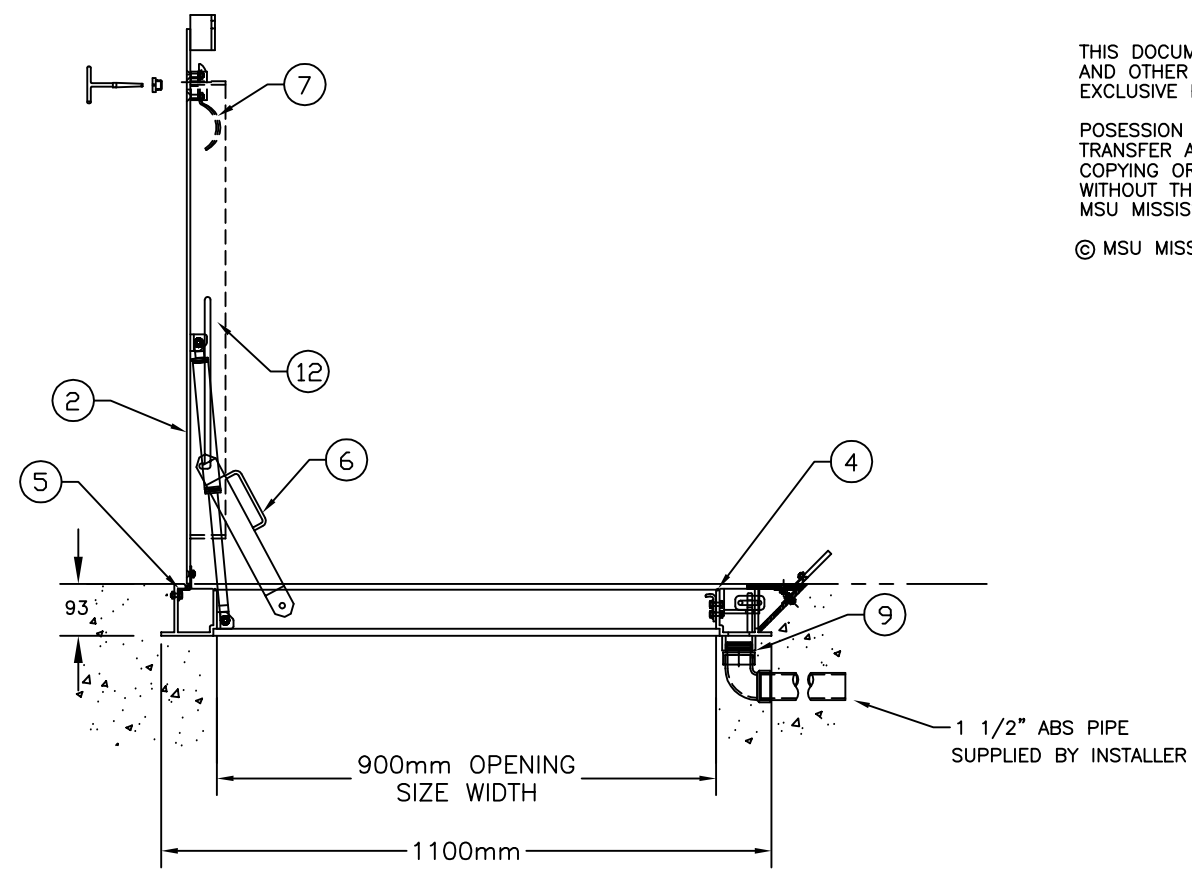


#	QTY.	MATERIAL	DESCRIPTION
1	1	ALUMINUM 6351-T6	FRAME EXTRUSION #P5709-1
2	1	ALUMINUM 6061-T6	1/4" TREAD PLATE
3	6	ALUMINUM 6061-T6	1/4" X 3" FLAT BAR REINFORCING
4	1	BLACK CORD NEOPRENE	PERIMETER SEALING GASKET
5	2	STAINLESS STEEL 316	SS316 BUTT HINGES C/W 1/4" TAMPERPROOF FASTENERS
6	1	STAINLESS STEEL 316	90 DEG. HOLD OPEN ARM C/W 1/4" ROD FORMED HANDLE
7	1	STAINLESS STEEL 316	SLAM LOCK C/W ALUM. REMOVABLE SEALING PLUG AND OPENING TOOL
8	1	ALUMINUM 6061-T6	FLUSH LIFT HANDLE
9	1	ALUMINUM 6061-T6	1 1/2" NOM. PIPE HALF-COUPLING C/W 1 1/2" ABS ADAPTER/ELBOW
10	1	STAINLESS STEEL 316	GAS SPRING ASSIST CYLINDER C/W ALUM. MOUNTING BRACKETS
11	1	ALUMINUM 6061-T6	FLUSH/RECESSED LOCK



THIS DOCUMENT CONTAINS PROPRIETARY INFORMATION AND OTHER RIGHTS WHICH ARE THE SOLE AND EXCLUSIVE PROPERTY OF MSU MISSISSAUGA LTD.

POSSESSION OF THIS MATERIAL DOES NOT CONVEY OR TRANSFER ANY RIGHTS THEREIN, AND REPRODUCTION, USE, COPYING OR DISCLOSURE TO OTHERS IS FORBIDDEN WITHOUT THE PRIOR WRITTEN CONSENT OF AN OFFICER OF MSU MISSISSAUGA LTD.

© MSU MISSISSAUGA LTD. - APRIL 6TH, 2002.

NOTE: 1) ALL ALUMINUM SURFACES IN CONTACT WITH CONCRETE SHALL RECEIVE 2 COATS OF BITUMINOUS PAINT.

2) WELDING SHALL CONFORM TO CSA W47.2-R2008 CSA W59.2-R2008

3) REINFORCED TO WITHSTAND A LIVE LOAD OF 300 LBS/SQ.FT (14.4KPa) WITH MAX. DEFLECTION OF 1/150th OF THE SPAN.

PROJECT	LOCATION PROJECT	
CONTRACTOR	CONTRACTOR	
ARCHT/ENG'R	ENGINEER	
QTY.	1	PROJECT NO. #

TITLE					
ALUMINUM ACCESS HATCH MSU TYPE-M4 C/W DRAIN					
REVISION	NO.	DATE	BY	DATE	DWG. BY: SCJ
▲				###/###	PLN. CATA
▲				SCALE NTS	CHK'D BY: DWG. NO. M-1