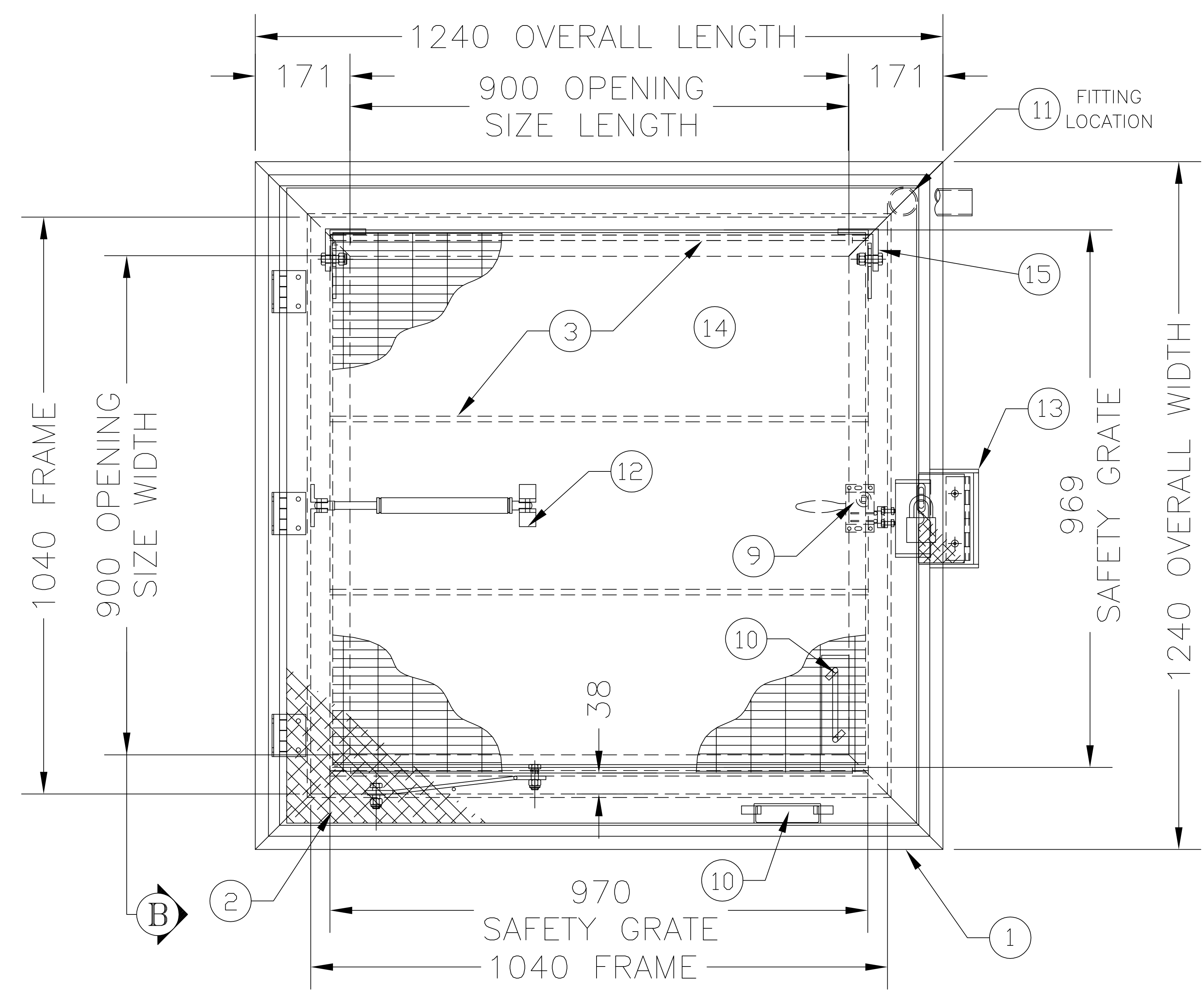
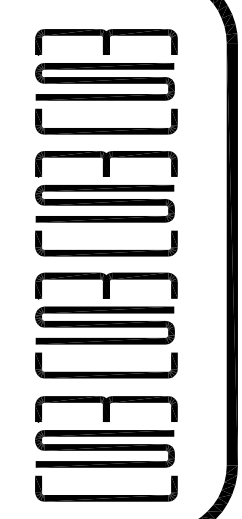
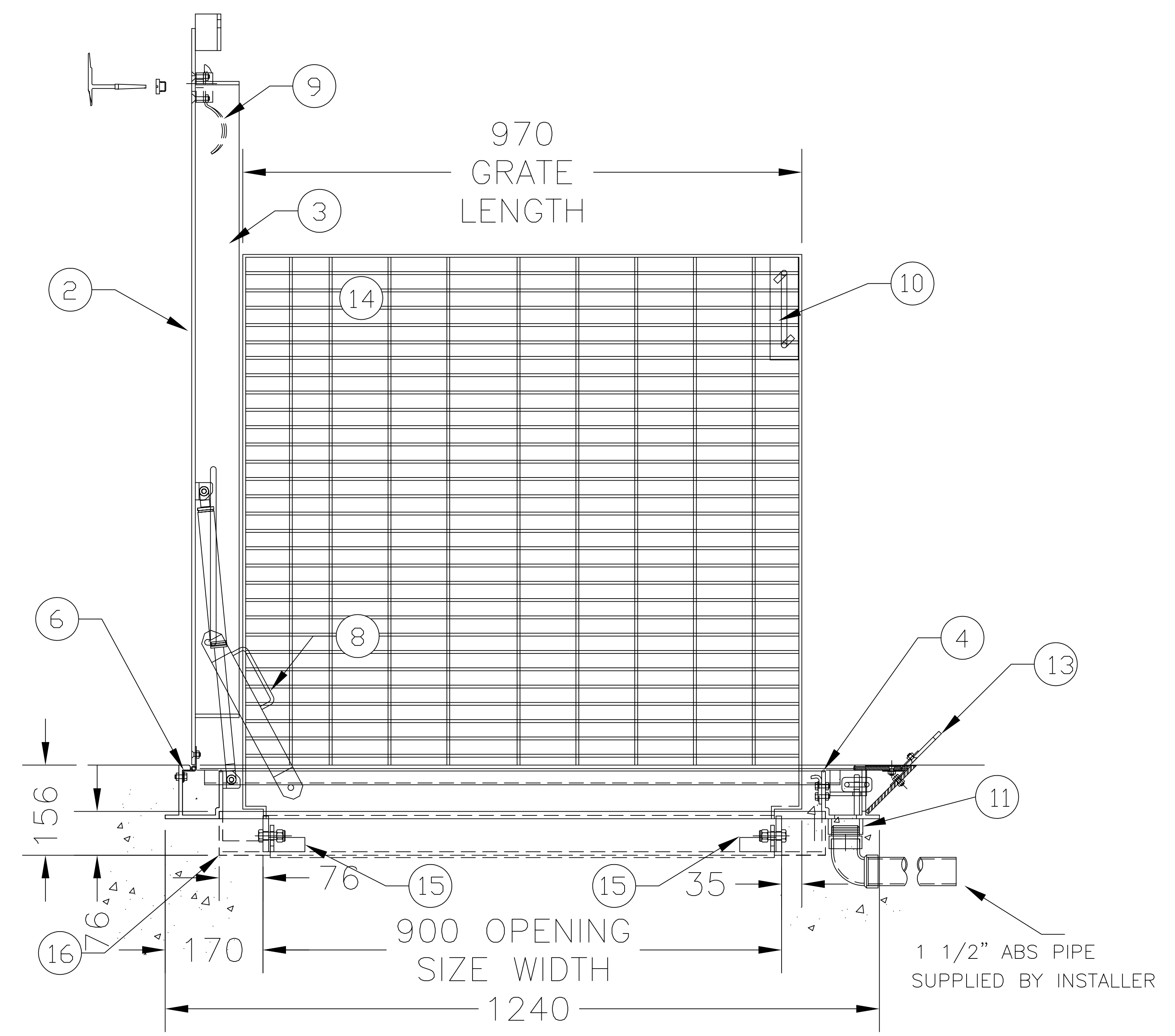
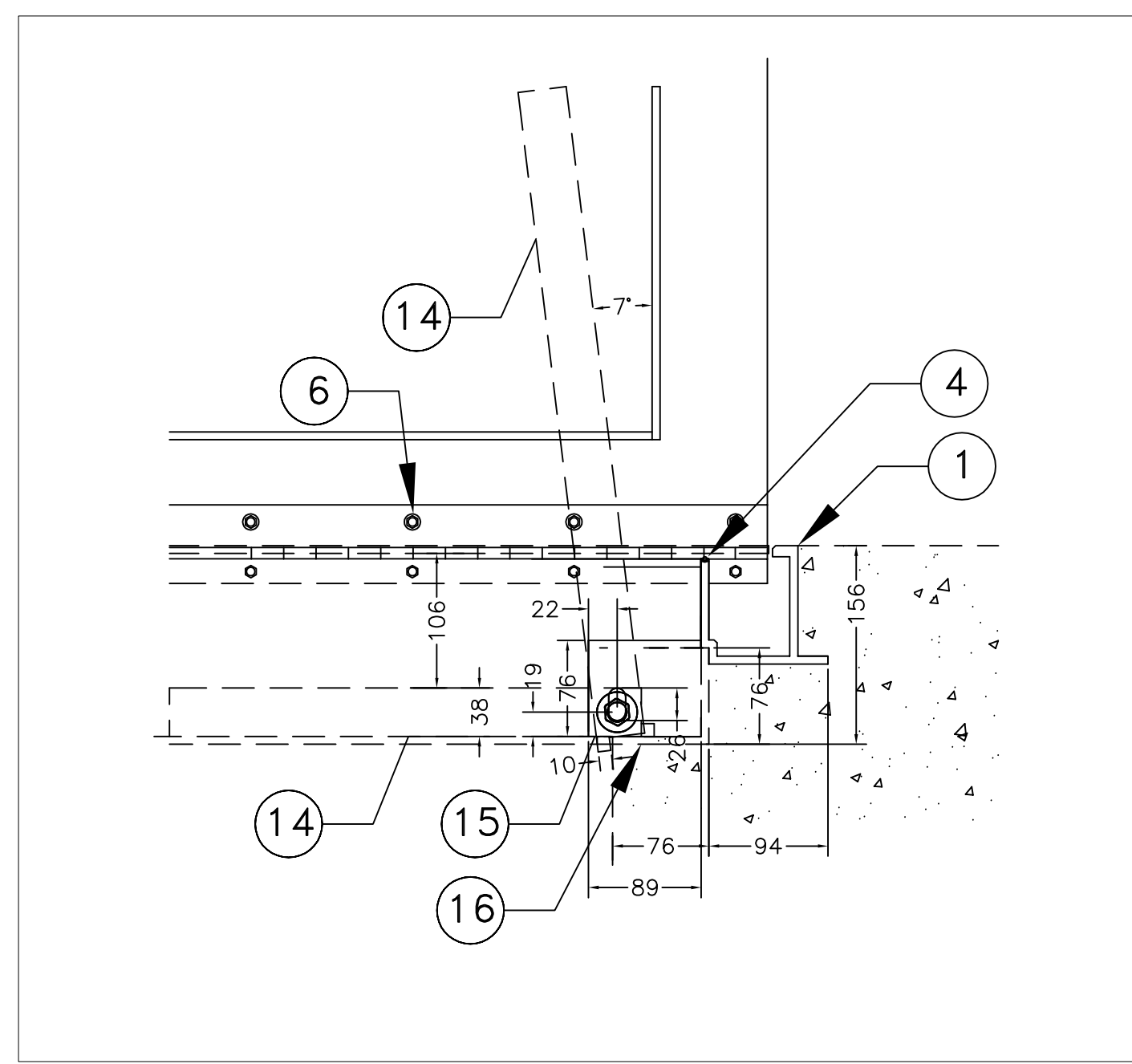


**MSU
MISSISSAUGA LTD.**

PHONE: (905) 823-4340
WATTS: (800) 268-5336
WEBSITE: www.msmississauga.com



DETAIL B



REGISTERED PROFESSIONAL ENGINEER
M.H. MA
M.H. MA
JULY 23, 2012
PROVINCE OF ONTARIO

REVIEWED
VIRTUAL#25469

VIRTUAL
engineers
Consulting Engineers

www.vecollective.com
15 WERTHEIM CRT. # 402 TEL: (905) 707-0704
RICHMOND HILL, ONTARIO 1-(866) 337-9333
L4B 3H7 FAX: (905) 707-1604

THIS DOCUMENT CONTAINS PROPRIETARY INFORMATION AND OTHER RIGHTS WHICH ARE THE SOLE AND EXCLUSIVE PROPERTY OF MSU MISSISSAUGA LTD.

POSSESSION OF THIS MATERIAL DOES NOT CONVEY OR TRANSFER ANY RIGHTS THEREIN, AND REPRODUCTION, USE, COPYING OR DISCLOSURE TO OTHERS IS FORBIDDEN WITHOUT THE PRIOR WRITTEN CONSENT OF AN OFFICER OF MSU MISSISSAUGA LTD.

© MSU MISSISSAUGA LTD. - APRIL 6TH, 2002.

#	QTY.	MATERIAL	DESCRIPTION
1	4	ALUMINUM 6351-T6	FRAME EXTRUSION #P5709-1 WELD TO ITEM #16
2	1	ALUMINUM 6061-T6	1/4 " TREAD PLATE
3	6	ALUMINUM 6061-T6	1/4" X 3" FLAT BAR REINFORCING
4	1	BLACK CORD NEOPRENE	PERIMETER SEALING GASKET
5	NA	ALUMINUM 6061-T6	2"x1"x1/8" DRIP CHANNEL
6	3	STAINLESS STEEL 316	BUTT HINGE C/W 1/4" TAMPERPROOF FASTENERS
7	NA	ALUMINUM 6061-T6	CAST-IN-ANCHOR
8	1	STAINLESS STEEL 316	90 DEG. HOLD OPEN ARM C/W 1/4"Ø ROD FORMED HANDLE
9	1	STAINLESS STEEL 316	SLAM LOCK C/W ALUM. REMOVABLE SEALING PLUG AND OPENING TOOL
10	2	ALUMINUM 6061-T6	1-FLUSH LIFT HANDLE FOR COVER 1-FLUSH LIFT HANDLE FOR GRATE
11	1	ALUMINUM 6061-T6	1 1/2" NOM. PIPE HALF-COUPLING C/W 1 1/2" ABS ADAPTER/ELBOW
12	1	STAINLESS STEEL 316	GAS SPRING ASSIST CYLINDER C/W ALUM. MOUNTING BRACKETS
13	1	ALUMINUM 6061-T6	RECESSED PADLOCK HASP
14	1	ALUMINUM 6061-T6	BORDEN B#8 GRATING PAINTED ORANGE
15	2	ALUMINUM 6061-T6	GRATING HINGE AND BOLT
16	4	ALUMINUM 6061-T6	1/4 X 3 X 3" SUPPORT ANGLE WELD TO ITEM #1

NOTE: 1) ALL ALUMINUM SURFACES IN CONTACT WITH CONCRETE SHALL RECEIVE 2 COATS OF BITUMINOUS PAINT.

2) WELDING SHALL CONFORM TO CSA W47.2 & CSA W59.2

3) REINFORCED TO WITHSTAND A LIVE LOAD OF 300 LBS/SQ.FT (14.4KPa) FOR BOTH HATCH COVER AND GRATE

PROJECT	LOCATION PROJECT
CONTRACTOR	CONTRACTOR
ARCHT/ENG'R	ENGINEER
QTY.	PROJECT NO.
1	#

TITLE		ALUMINUM ACCESS HATCH MSU TYPE-MG C/W ASSIST AND DRAIN	
NO.	DATE	BY	DATE
1		SCJ	##/##/##
2			NTS
REVISION	SCALE	DWG. BY	PL. NO.
	NTS	SCJ	CATA
		DWG. NO.	MG-1