

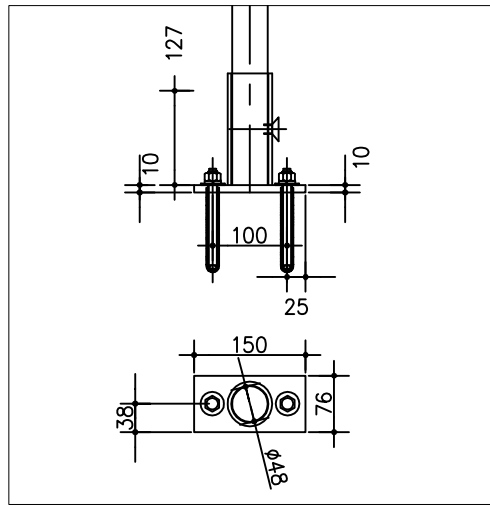
REGISTERED PROFESSIONAL ENGINEER  
**A. SOHRABI**  
 100056832  
 OCT. 22, 2010  
 PROVINCE OF ONTARIO

REVIEWED  
 VIRTUAL 25332

**VIRTUAL**  
**engineers**  
 Consulting Engineers

15 WERTHEIM CRT. # 402 TEL: (905) 707-0704  
 30 WINDHILL, ONTARIO L4R 9P9 FAX: (905) 707-1987  
 WEB SITE: www.virtualcollective.com

BASE PLATE DETAIL



THIS DOCUMENT CONTAINS PROPRIETARY INFORMATION AND OTHER RIGHTS WHICH ARE THE SOLE AND EXCLUSIVE PROPERTY OF MSU MISSISSAUGA LTD.

POSSESSION OF THIS MATERIAL DOES NOT CONVEY OR TRANSFER ANY RIGHTS THEREIN, AND REPRODUCTION, USE, COPYING OR DISCLOSURE TO OTHERS IS FORBIDDEN WITHOUT THE PRIOR WRITTEN CONSENT OF AN OFFICER OF MSU MISSISSAUGA LTD.

© MSU MISSISSAUGA LTD. - JULY 23RD, 2014

**MSU**  
**MISSISSAUGA LTD.**  
 PHONE: (905) 823-4340  
 WATTS: (800) 268-5336  
 WEBSITE: www.msmississauga.com

#	QTY.	MATERIAL	DESCRIPTION
1	5	ALUMINUM 6061-T6	254x76x7.1mm CHANNEL STRINGER AND PLATFORM SUPPORTS c/w 6mm THK. END PLATE WELDED
2	8	ALUMINUM 6061-T6	2 1/2" SCH. 80 PIPE SOCKET WELDED TO STRINGERS C/W 3/8" SET SCREW
3	6	ALUMINUM 6061-T6	3-76X76X10mm ANGLE SUPPORT 3-76X76X10mm ANGLE BRACE
4	AS REQ.	ALUMINUM 6061-T6	1 1/2" SCH. 40 PIPE
5	12	ALUMINUM 6061-T6	GRATING STEP BORDEN B#8 (38X5) C/W END PLATES & CHECKED PL. NOSING
6	AS REQ.	STAINLESS STEEL 316	1/2"x3 3/4" WEDGE ANCHOR c/w NUT, FLAT & LOCK WASHER
7	2	ALUMINUM 6061-T6	200x200x10mm COLUMN BASE PLATE 200x76x10mm COLUMN TOP PLATE WELD TO ITEM #15
8	12	STAINLESS STEEL 316	5/8"x2" HEX BOLT c/w NUT, FLAT & LOCK WASHER
9	3	GALVANIZED STEEL	W200X19 I-BEAM
10	12	ALUMINUM 6061-T6	102X102X12mm ANGLE BRACKET
11	12	STAINLESS STEEL 316	3/4"x4 3/4" WEDGE ANCHOR c/w NUT, FLAT & LOCK WASHER
12	11	ALUMINUM 6061-T6	BORDEN B#8 GRATING 38X5MM
13	10	ALUMINUM 6061-T6	1 1/2" INTERNAL PIPE SPLICE
14	AS REQ.	ALUMINUM 6061-T6	127X6mm KICKPLATE WELD ITEM #2 SPLICE AT EXPANSION SLEEVES
15	2	ALUMINUM 6061-T6	76X76X6mm HSS COLUMN

- 1) ALL ALUMINUM SURFACES IN CONTACT WITH CONCRETE SHALL RECEIVE 2 COATS OF BITUMINOUS PAINT.
- 2) WELDING SHALL CONFORM TO CSA W47.2-R2008 CSA W59.2-R2008
- 3) WELDED SURFACES REMAIN AS WELDED.
- 4) REINFORCED TO WITHSTAND A LIVE LOAD OF 300 LBS/SQ.FT (14.4KPa) WITH MAX. DEFLECTION OF 1/150th OF THE SPAN.
- 5) GUARDRAIL IS DESIGNED PER OBC 4.1.5.15 TO WITHSTAND A HORIZONTAL 0.75KN/M OR 1KN AND A VERTICAL 1.5KN/M ON TOP RAIL NON-CONCURRENT.

PROJECT	LOCATION PROJECT
CONTRACTOR	CONTRACTOR
ARCHT/ENGR	ENGINEER
QTY. 1	PROJECT NO. #

TITLE					
ALUMINUM STAIR & LANDING					
REVISION	NO.	DATE	BY	DATE	DWG. NO.
▲				##/##	SCJ
▲				SCALE	CATA
				NTS	STAIR-2