

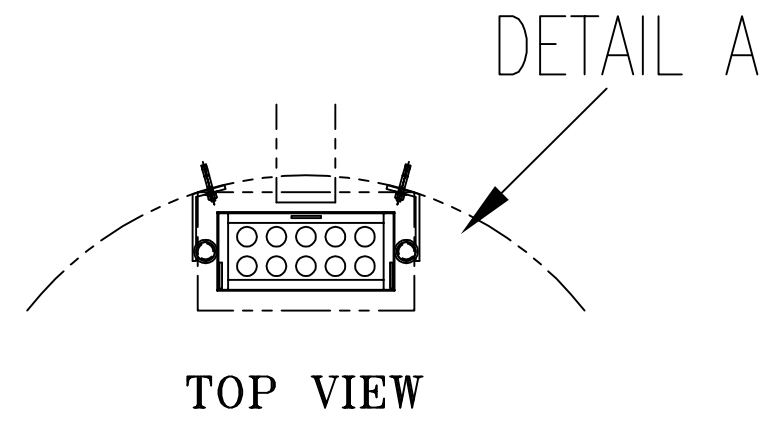
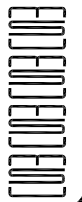


MSU
MISSISSAUGA LTD.

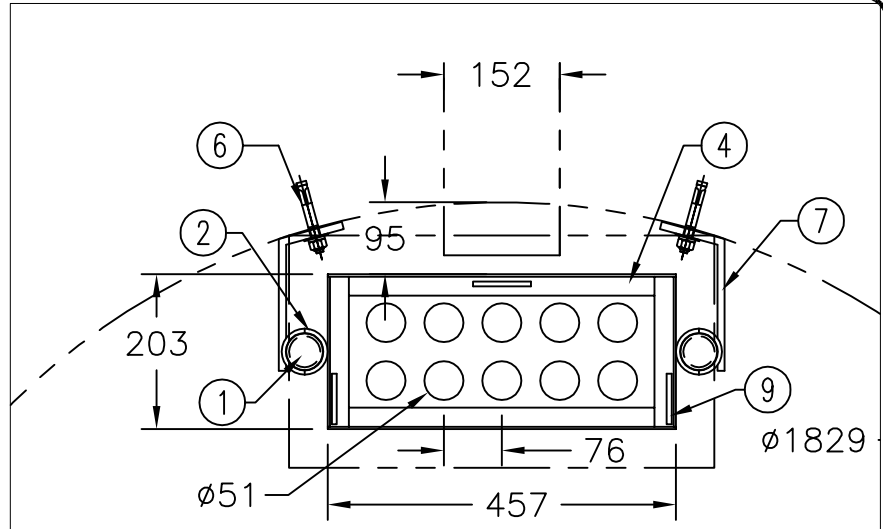
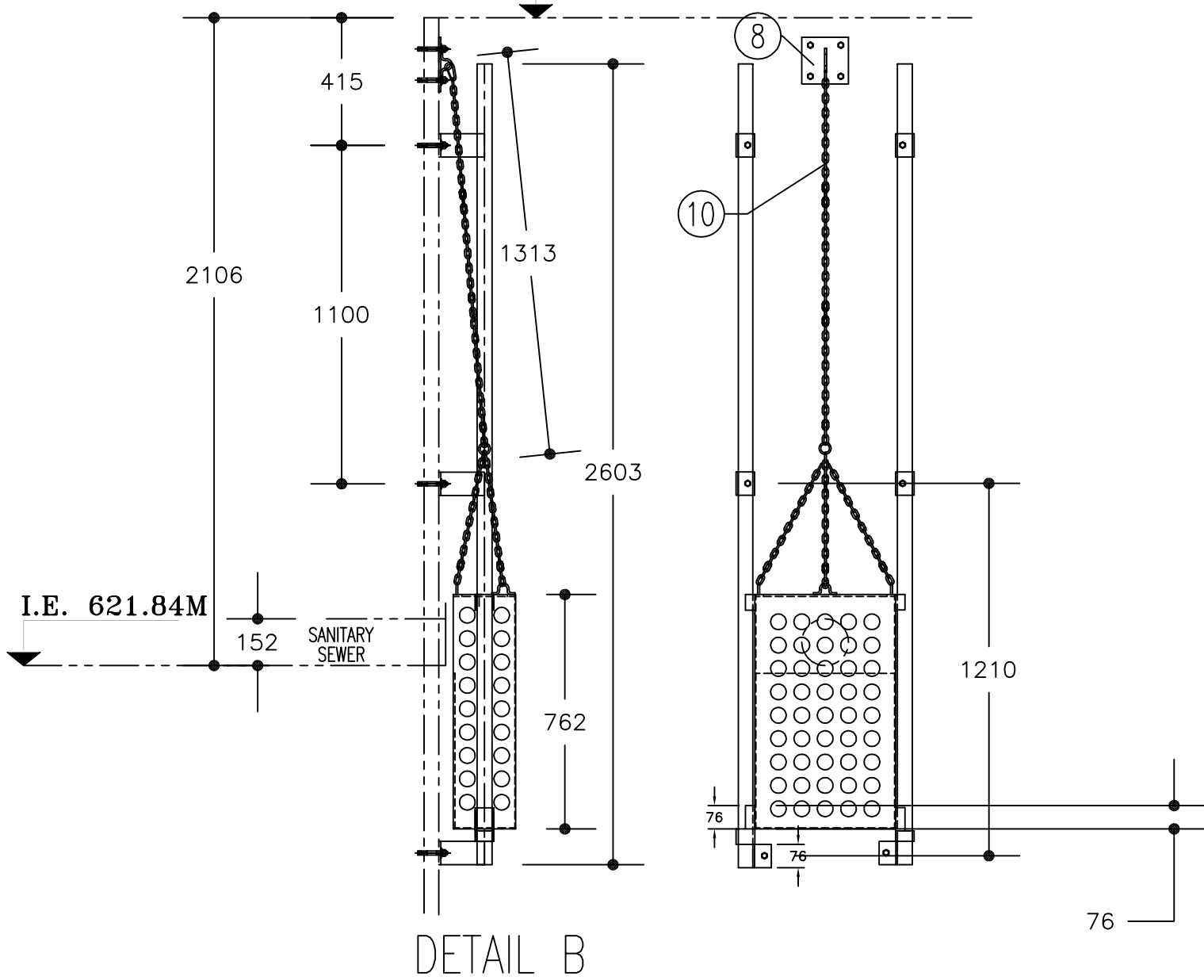
PHONE: (905) 823-4340

WATTS: (800) 268-5336

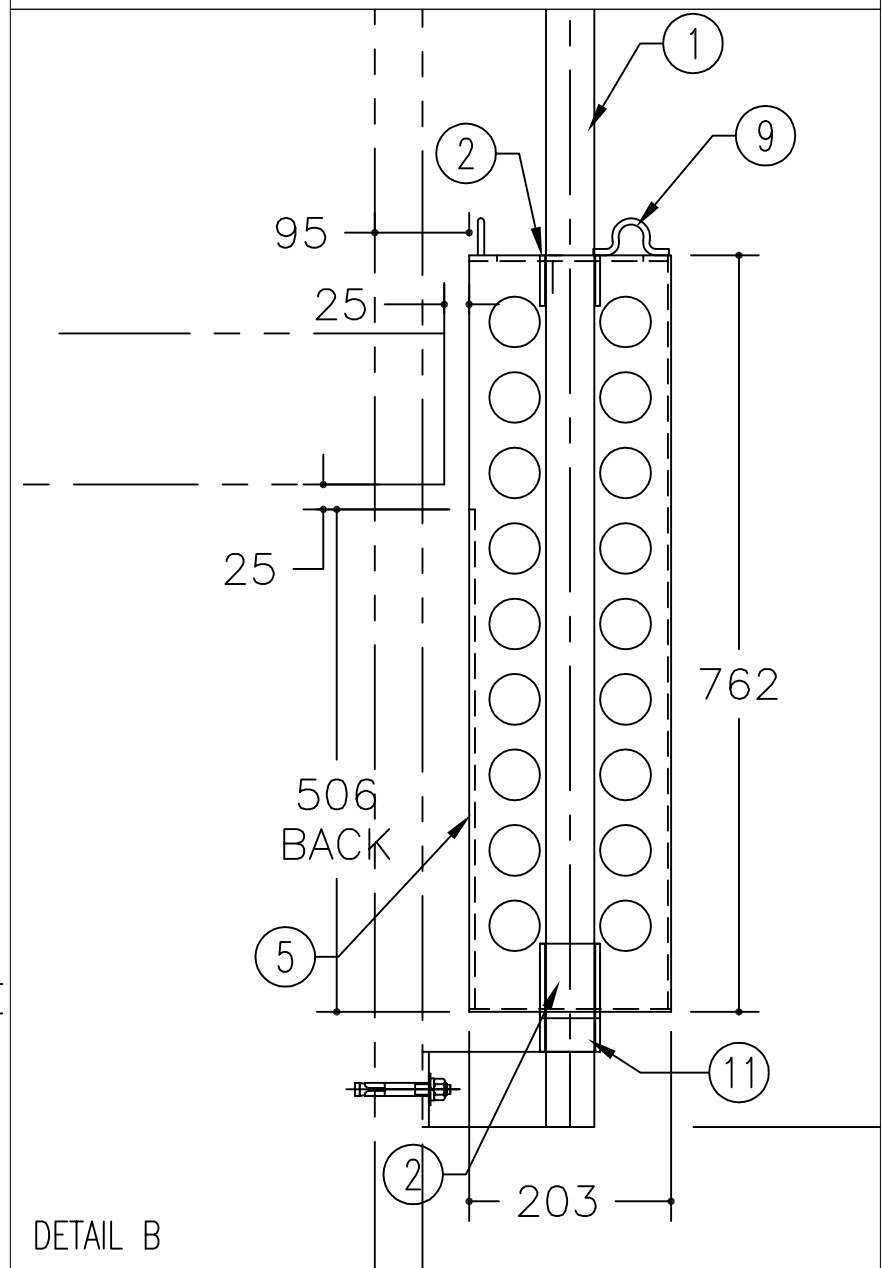
WEBSITE: www.msumississauga.com



ELE. 628.75M



DETAIL A



#	QTY.	MAT'L	DESCRIPTION
1	2	STAINLESS STEEL 316	48.3mm (O.D) X 4.8mm WALL THK. HSS ROUND AS GUIDE RAILS
2	4	STAINLESS STEEL 316	SLIDING GUIDE BRACKETS 2" SCH 80 PIPE (2.375" OD)
3	4	STAINLESS STEEL 316	3MM PERFORATED SHEETS WELDED TO ITEM #4 (50MM Ø HOLES)
4	4	STAINLESS STEEL 316	25 X 6MM FLAT BAR
5	1	STAINLESS STEEL 316	6MM BACK PLATE
6	6	STAINLESS STEEL 316	5/8 X 6" WEDGE ANCHOR C/W NUT, FLAT AND LOCK WASHERS
7	6	STAINLESS STEEL 316	76 X 10 FLAT BAR BRACKETS
8	1	STAINLESS STEEL 316	CHAIN HOOKING PLATE C/W 1/2 X 3 3/4" WEDGE ANCHORS
9	3	STAINLESS STEEL 316	3/8" ROD FORMED HOOPS WELDED TO ANGLE FRAME
10	AS REQ	STAINLESS STEEL 316	1/4" PROOF COIL CHAIN
11	2	STAINLESS STEEL 316	2" SCH 80 PIPE (2.375" OD) SLIDING GUIDE BRACKET STOPS

NOTE:

1. WELDING SHALL CONFORM TO CSA W47.1 & AWS D1.6
2. WELDED SURFACES REMAIN AS WELDED.

THIS DOCUMENT CONTAINS PROPRIETARY INFORMATION AND OTHER RIGHTS WHICH ARE THE SOLE AND EXCLUSIVE PROPERTY OF MSU MISSISSAUGA LTD.

POSSESSION OF THIS MATERIAL DOES NOT CONVEY OR TRANSFER ANY RIGHTS THEREIN, AND REPRODUCTION, USE, COPYING OR DISCLOSURE TO OTHERS IS FORBIDDEN WITHOUT THE PRIOR WRITTEN CONSENT OF AN OFFICER OF MSU MISSISSAUGA LTD.

© MSU MISSISSAUGA LTD. - JULY 23RD, 2014

PROJECT	LOCATION PROJECT
CONTRACTOR	CONTRACTOR
ARCHT/ENG'R	ENGINEER
QTY. 1	PROJECT NO. #

TITLE TRASH BASKET AND GUIDE BAR RETRACTABLE SYSTEM		
DATE #/#/#	DWG. BY: SCJ	DWG. NO. CATA TB-1
SCALE NTS	CHK'D BY:	