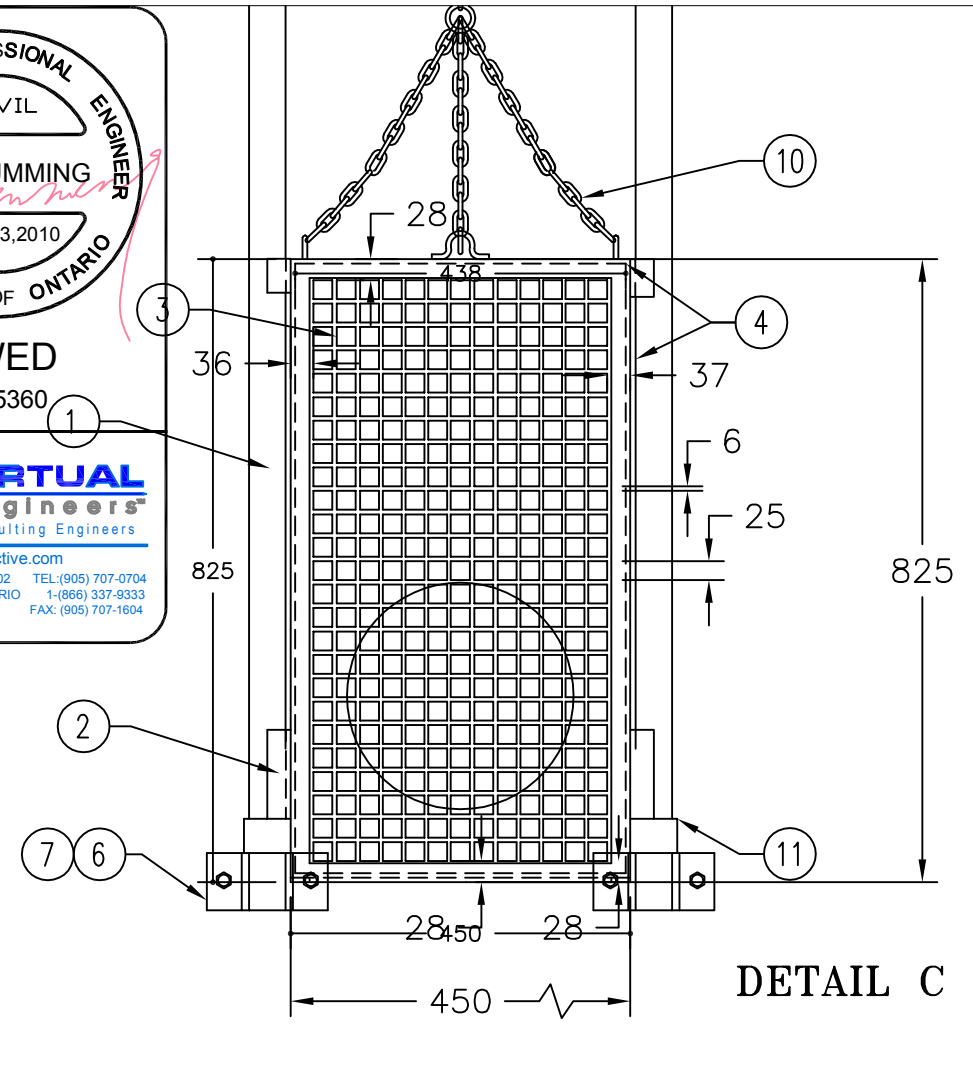


**REGISTERED PROFESSIONAL ENGINEER**  
 CIVIL  
**R.W. CUMMING**  
 DEC. 13, 2010  
 PROVINCE OF ONTARIO  
**REVIEWED**  
 VIRTUAL#25360  
  
**VIRTUAL**  
 engineers  
 Consulting Engineers  
 www.vecollective.com  
 15 WERTHEIM CRT, # 402 TEL: (905) 707-0704  
 RICHMOND HILL, ONTARIO 1-(866) 337-9333  
 L8B 3H7 FAX: (905) 707-1604



**MSU**  
**MISSISSAUGA LTD.**  
 PHONE: (905) 823-4340  
 WATTS: (800) 268-5336  
 www.msmississauga.com

#	QTY.	MAT'L	DESCRIPTION
1	2	STAINLESS STEEL 304	48.3mm (O.D) X 4.8mm WALL THK. HSS ROUND AS GUIDE RAILS
2	4	STAINLESS STEEL 304	SLIDING GUIDE BRACKETS 2" SCH 80 PIPE (2.375" OD)
3	4	STAINLESS STEEL 304	6mm PLATE LASER CUT WITH 25MM SQ. OPENINGS & 6MM SOLID
4	14	STAINLESS STEEL 304	ANGLE 25 X 25 X 6 FRAME
5	1	STAINLESS STEEL 304	1/4" PLATE WELD TO ITEM #4
6	10	STAINLESS STEEL 304	1/2 X 3 3/4" WEDGE ANCHOR C/W NUT, FLAT AND LOCK WASHERS
7	6	STAINLESS STEEL 304	76 X 10 SUPPORT BRACKET
8	1	STAINLESS STEEL 304	CHAIN HOOKING PLATE
9	3	STAINLESS STEEL 304	1/2" ROD FORMED HOOPS WELDED TO ANGLE FRAME
10	AS REQ	STAINLESS STEEL 304	1/4" PROOF COIL CHAIN
11	2	STAINLESS STEEL 304	2" SCH 80 PIPE (2.375" OD) SLIDING GUIDE BRACKET STOPS X 76mm LG

WELDING SHALL CONFORM TO CSA W47.1 & AWS D1.6  
 THIS DOCUMENT CONTAINS PROPRIETARY INFORMATION AND OTHER RIGHTS WHICH ARE THE SOLE AND EXCLUSIVE PROPERTY OF MSU MISSISSAUGA LTD.  
 POSSESSION OF THIS MATERIAL DOES NOT CONVEY OR TRANSFER ANY RIGHTS THEREIN, AND REPRODUCTION, USE, COPYING OR DISCLOSURE TO OTHERS IS FORBIDDEN WITHOUT THE PRIOR WRITTEN CONSENT OF AN OFFICER OF MSU MISSISSAUGA LTD.  
 © MSU MISSISSAUGA LTD. - JULY 23RD, 2014

PROJECT	<b>LOCATION PROJECT</b>
CONTRACTOR	<b>CONTRACTOR</b>
ARCHT/ENG'R	<b>ENGINEER</b>
QTY. <b>1</b>	PROJECT NO.

<b>TITLE TRASH BASKET AND GUIDE BAR RETRACTABLE SYSTEM</b>		
DATE <b>##/##/##</b>	DWG. BY: <b>SCJ</b>	DWG. NO. <b>CATA TB-3</b>
SCALE <b>NTS</b>	CHK'D BY:	