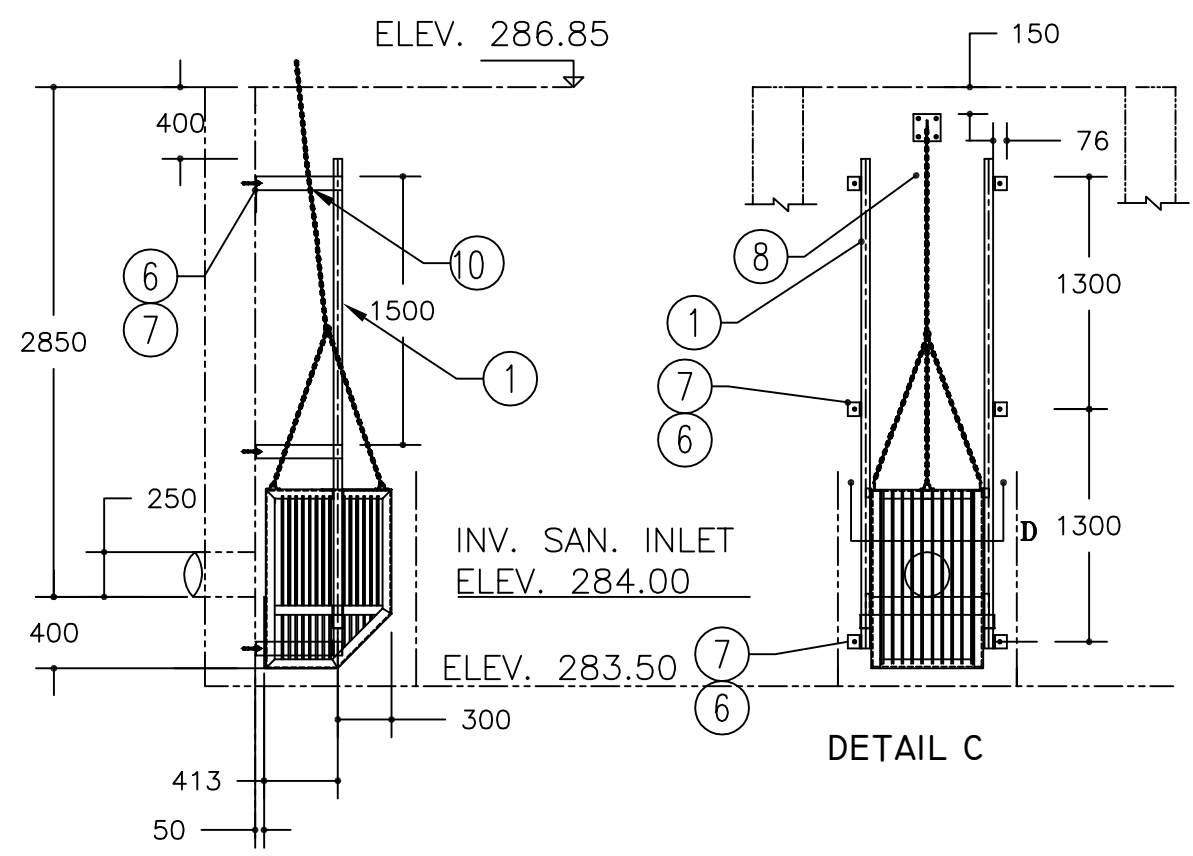
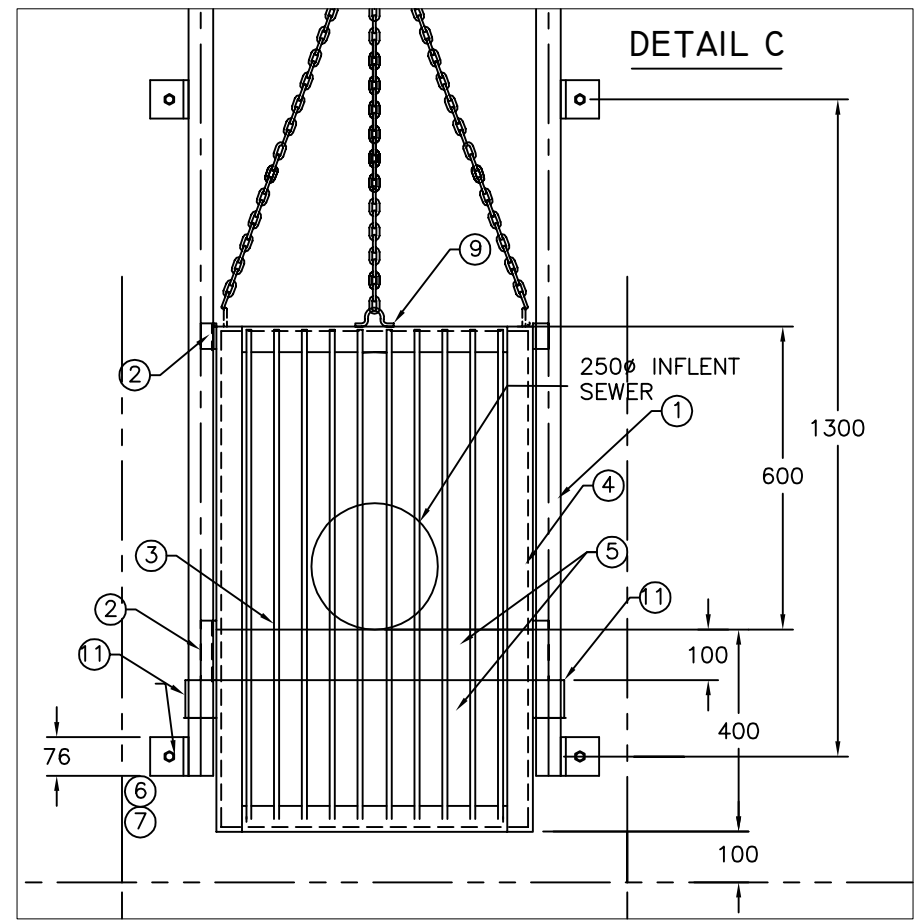
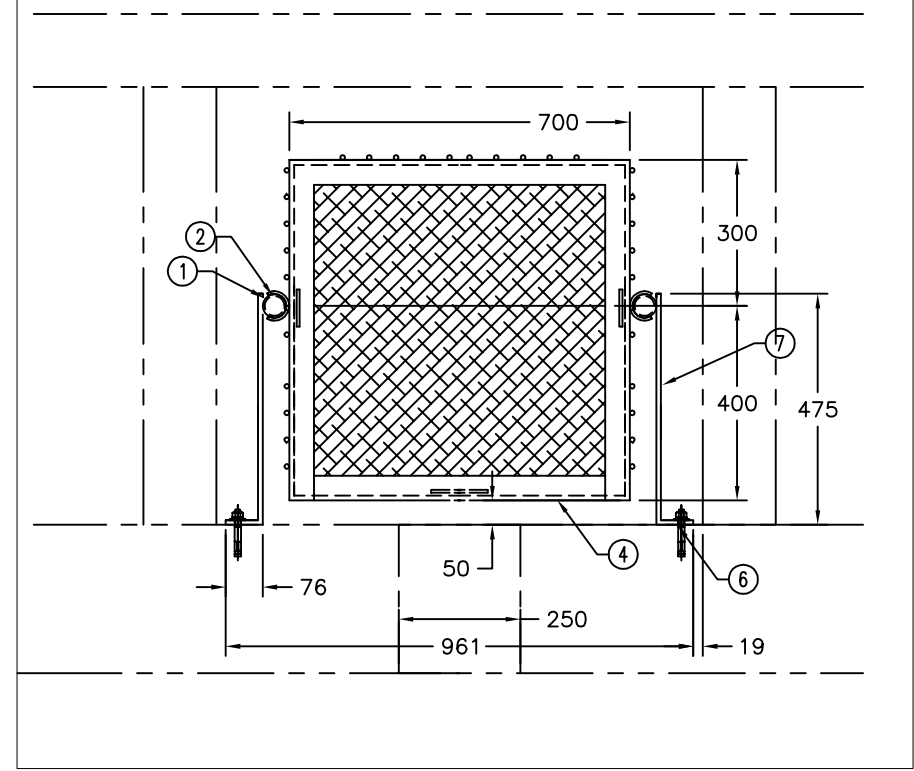


SECTION D



SIDE VIEW

FRONT VIEW

#	QTY.	MAT'L	DESCRIPTION
1	2	ALUM. CSA H5A 6061-T6	48.3mm (O.D) X 4.8mm WALL THK. HSS ROUND AS GUIDE RAILS
2	4	ALUM. CSA H5A 6061-T6	SLIDING GUIDE BRACKETS 2" SCH 80 PIPE (2.375" OD)
3	49	ALUM. CSA H5A 6061-T6	12.5mm Ø ROD @ 38mm C/C VERT. WELDED TO ITEM #4 (TOP OPEN)
4	13	ALUM. CAS H5A 6061-T6	ANGLE 65 X 65 X 6 FRAME
5	3	ALUM. CAS H5A 6061-T6	1/4" THICK BACK PLATE
6	24	STAINLESS STEEL 316	1/2 X 3 3/4" WEDGE ANCHOR C/W NUT, FLAT AND LOCK WASHERS
7	6	STAINLESS STEEL 304	76 X 10 SUPPORT BRACKET
8	1	ALUM. CSA H5A 6061-T6	CHAIN HOOKING PLATE
9	3	ALUM. CSA H5A 6061-T6	1/2" ROD FORMED HOOPS WELDED TO ANGLE FRAME
10	AS REQ	STAINLESS STEEL 304	1/4" PROOF COIL CHAIN
11	2	STAINLESS STEEL 304	2" SCH 80 PIPE (2.375" OD) SLIDING GUIDE BRACKET STOPS BRACKET SPACERS

THIS DOCUMENT CONTAINS PROPRIETARY INFORMATION AND OTHER RIGHTS WHICH ARE THE SOLE AND EXCLUSIVE PROPERTY OF MSU MISSISSAUGA LTD.

POSSESSION OF THIS MATERIAL DOES NOT CONVEY OR TRANSFER ANY RIGHTS THEREIN, AND REPRODUCTION, USE, COPYING OR DISCLOSURE TO OTHERS IS FORBIDDEN WITHOUT THE PRIOR WRITTEN CONSENT OF AN OFFICER OF MSU MISSISSAUGA LTD.

© MSU MISSISSAUGA LTD. - JULY 23RD, 2014

- NOTE:
- 1) ALL ALUMINUM SURFACES IN CONTACT WITH CONCRETE SHALL RECEIVE 2 COATS OF BITUMINOUS PAINT.
 - 2) WELDING SHALL CONFORM TO CSA W47.2 CSA W59.2
 - 3) GROUND ROUGH EDGES SMOOTH. WELDED SURFACES REMAIN AS WELDED.
 - 4) ALL STEEL SHALL BE HOT-DIP GALVANIZED AFTER FABRICATION IN CONFORMANCE WITH CSA G-164.

PROJECT	LOCATION PROJECT
CONTRACTOR	CONTRACTOR
ARCHT/ENG'R	ENGINEER
QTY.	PROJECT NO.
1	

TITLE					
TRASH BASKET AND GUIDE BAR RETRACTABLE SYSTEM					
REVISION	NO.	DATE	BY	DATE	DWG. NO.
					#/#/#
					SCALE
					NTS
					DWG. NO. SCJ CATA
					TB-4