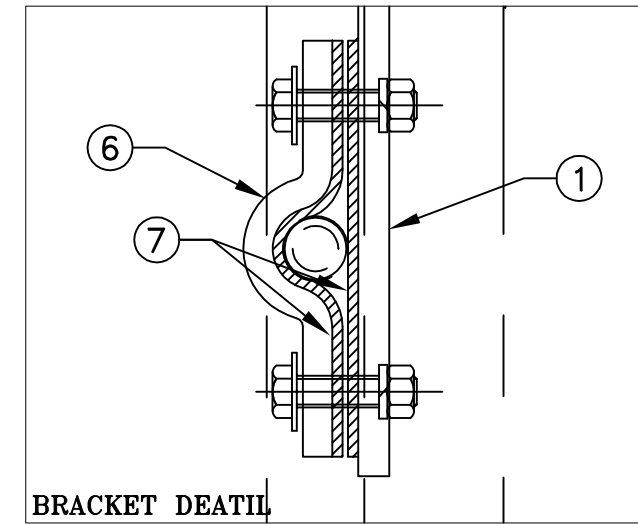
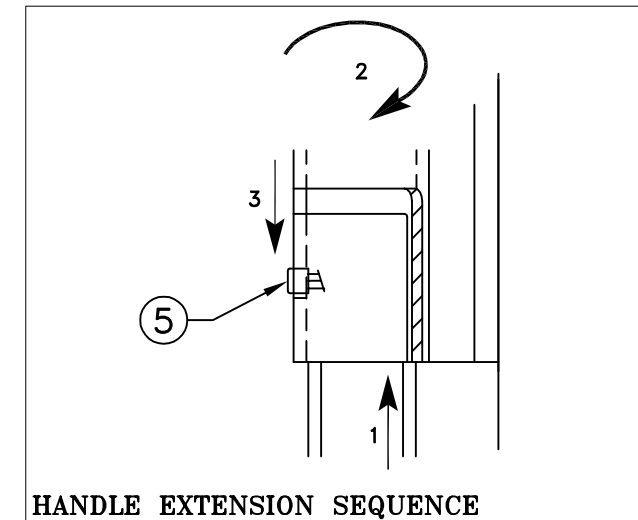


LADDER BRACKETS REMOVED FOR CLARITY



BRACKET DETAIL



HANDLE EXTENSION SEQUENCE

**MSU**  
**MISSISSAUGA LTD.**  
 PHONE: (905) 823-4340  
 WATTS: (800) 268-5336  
 WEBSITE: [www.msmississauga.com](http://www.msmississauga.com)

#	QTY.	MATERIAL	DESCRIPTION
1	1	ALUMINUM 6061-T6	BOLT-ON SOCKET ALUMINUM EXT.
2	1	ALUMINUM 6061-T6	1 1/4" SCH. 80 IPS PIPE (1.66" O.D) 1420mm LG.
3	1	ALUMINUM 6061-T6	2"Ø END PIECE
4	1	STAINLESS STEEL 316	3/8"Ø EYE BOLT
5	1	STAINLESS STEEL 316	5/16" X 3/4" SOCKET HEAD SCREW C/W NYLON INSERT LOCK NUT
6	2	ALUMINUM 6061-T6	CLAMPS C/W S.S. 3/8"X1 1/4" BOLT, NUT AND WASHER

THIS DOCUMENT CONTAINS PROPRIETARY INFORMATION AND OTHER RIGHTS WHICH ARE THE SOLE AND EXCLUSIVE PROPERTY OF MSU MISSISSAUGA LTD.

POSSESSION OF THIS MATERIAL DOES NOT CONVEY OR TRANSFER ANY RIGHTS THEREIN, AND REPRODUCTION, USE, COPYING OR DISCLOSURE TO OTHERS IS FORBIDDEN WITHOUT THE PRIOR WRITTEN CONSENT OF AN OFFICER OF MSU MISSISSAUGA LTD.

© MSU MISSISSAUGA LTD. - JULY 23RD, 2014

- NOTE: 1) WELDING SHALL CONFORM TO CSA W47.2 & CSA W59.2  
 2) GROUND ROUGH EDGES SMOOTH. WELDED SURFACES REMAIN AS WELDED.  
 3) RUNG CROSS SECTION IS 20MM 1105 MSU STYLE LADDER RUNG

PROJECT	PROJECT LOCATION	
CONTRACTOR	CONTRACTOR	
ARCHT/ENGR	ENGINEERING	
QTY.	#	PROJECT NO.

TITLE					
<b>MODEL #3100 SAFETY POST RETRACTABLE BOLT-ON STYLE</b>					
NO.	DATE	BY	DATE	DWG. BY	PL.#
1			##/##/##	SCJ	CATA
SCALE			NTS	DWG. NO.	3100-5