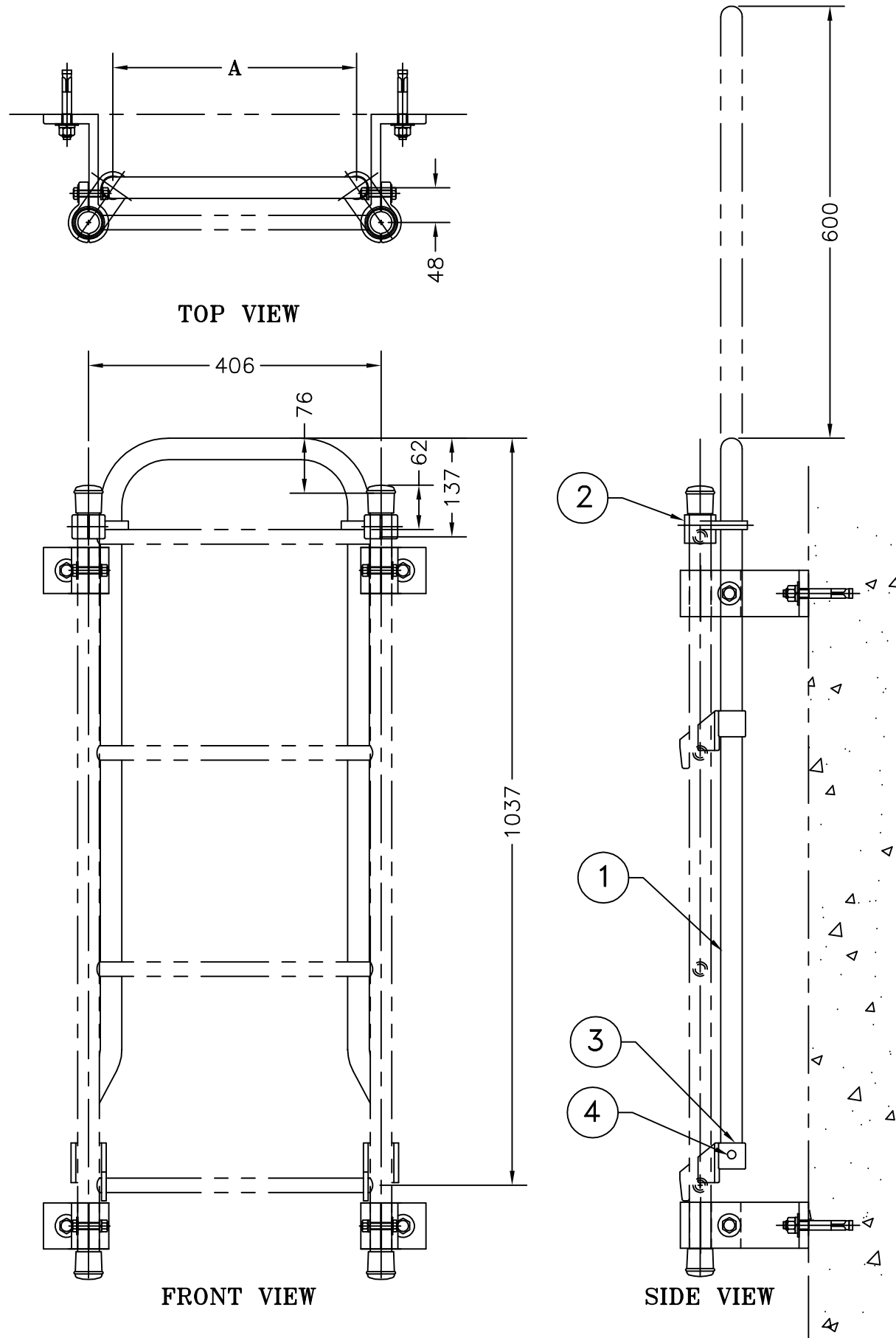


**MSU
MISSISSAUGA LTD.**

PHONE: (905) 823-4340

WATTS: (800) 268-5336

WEBSITE: www.msumississauga.com



DIM	
A	261mm WHEN USED ON 330 (13") WIDE LADDER
	337mm WHEN USED ON 406 (16") WIDE LADDER

#	QTY.	MATERIAL	DESCRIPTION
1	1	ALUMINUM 6351-T6	30mm O.D X 24mm I.D A-8368 ALUMINUM EXTRUSION
2	2	ALUM. ASSO. A413-1	CAST ALUMINUM GUIDE #700
3	2	ALUM. ASSO. A413-1	CAST ALUMINUM GUIDE #705
4	2	STAINLESS STEEL 304	D66BS BLIND RIVET

THIS DOCUMENT CONTAINS PROPRIETARY INFORMATION AND OTHER RIGHTS WHICH ARE THE SOLE AND EXCLUSIVE PROPERTY OF MSU MISSISSAUGA LTD.

POSSESSION OF THIS MATERIAL DOES NOT CONVEY OR TRANSFER ANY RIGHTS THEREIN, AND REPRODUCTION, USE, COPYING OR DISCLOSURE TO OTHERS IS FORBIDDEN WITHOUT THE PRIOR WRITTEN CONSENT OF AN OFFICER OF MSU MISSISSAUGA LTD.

© MSU MISSISSAUGA LTD. - JULY 23RD, 2014

- NOTE: 1) ALL ALUMINUM SURFACES IN CONTACT WITH CONCRETE SHALL RECEIVE 2 COATS OF BITUMINOUS PAINT.
 2) WELDING SHALL CONFORM TO CSA W47.2 & CSA W59.2
 3) GROUND ROUGH EDGES SMOOTH. WELDED SURFACES REMAIN AS WELDED.
 4) HANDLE SHOWN MOUNTED ON MODEL #1105 SAFETY LADDER.
 5) HANDLE IS MOUNTED ON WALL SIDE OF LADDER.

PROJECT	LOCATION PROJECT
CONTRACTOR	CONTRACTOR
ARCHT/ENGR	ENGINEER
QTY. 1	PROJECT NO.

TITLE MSU MODEL #3105 ALUMINUM DOUBLE RAIL SAFETY ACCESS HANDLE					
NO.	DATE	BY	DATE	DWG. BY	PL. NO.
			###/###	SCJ	CATA
REVISION			SCALE	DWG. NO.	
			NTS		3105