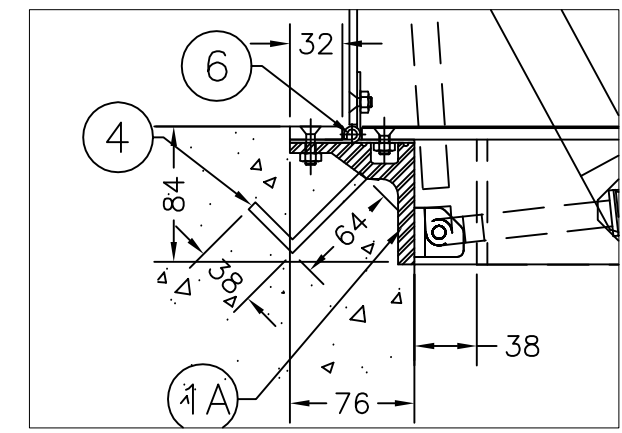
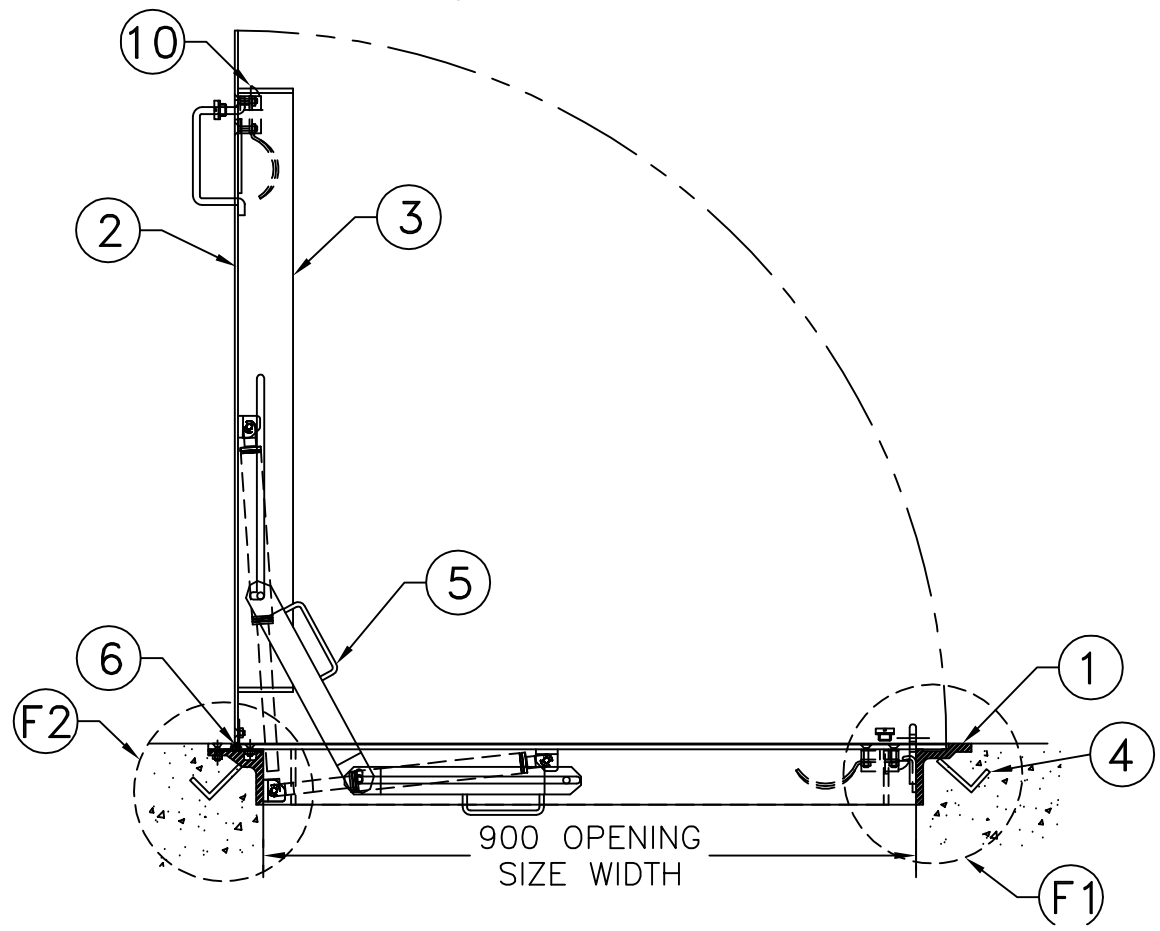


DETAIL "F1"



DETAIL "F2"



#	QTY.	MATERIAL	DESCRIPTION
1	3	ALUM. EXT. 6061-T6	FRAME EXTRUSION # S8984
1A	1	ALUM. EXT. 6061-T6	FRAME EXTRUSION # S8983
2	1	ALUM. PLT. 6061-T6	6.4mm TREAD PLATE
3	6	ALUM. EXT. 6061-T6	76X6mm FLAT BAR REINFORCING
4	12	ALUM. EXT. 6061-T6	38 X 64 X 6MM CASTIN ANCHOR
5	1	STAINLESS STEEL 316	90 DEG. HOLD OPEN ARM
6	1	STAINLESS STEEL 316	3" CONT. HINGE C/W 1/4" TAMPERPROOF FASTENERS
7	1	ALUM. EXT. 6061-T6	TYPE-1 RECESSED DROP HANDLE
8	1	ALUM. EXT. 6061-T6	EXTERNAL LOCK TAB
9	1	STAINLESS STEEL 316	GAS SPRING ASSIST CYLINDER c/w ALUM. MOUNTING BRACKETS
10	1	STAINLESS STEEL 316	SLAM LOCK C/W ALUM. REMOVABLE SEALING PLUG AND OPENING TOOL

THIS DOCUMENT CONTAINS PROPRIETARY INFORMATION AND OTHER RIGHTS WHICH ARE THE SOLE AND EXCLUSIVE PROPERTY OF MSU MISSISSAUGA LTD.

POSSESSION OF THIS MATERIAL DOES NOT CONVEY OR TRANSFER ANY RIGHTS THEREIN, AND REPRODUCTION, USE, COPYING OR DISCLOSURE TO OTHERS IS FORBIDDEN WITHOUT THE PRIOR WRITTEN CONSENT OF AN OFFICER OF MSU MISSISSAUGA LTD.

© MSU MISSISSAUGA LTD. - JULY 23RD, 2014

NOTE: 1) ALL ALUMINUM SURFACES IN CONTACT WITH CONCRETE SHALL RECEIVE 2 COATS OF BITUMINOUS PAINT.
 2) WELDING SHALL CONFORM TO CSA W47.2 & CSA W59.2
 3) GROUND ROUGH EDGES SMOOTH. WELDED SURFACES REMAIN AS WELDED.
 4) REINFORCED TO WITHSTAND A LIVE LOAD OF 150 LBS/SQ.FT (7.2kPa) WITH MAX. DEFLECTION OF 1/150th OF THE SPAN.

PROJECT	LOCATION PROJECT	
CONTRACTOR	CONTRACTOR	
ARCHT/ENG'R	ENGINEER	
QTY.	1	PROJECT NO. #

TITLE					
MSU TYPE-C ALUMINUM ACCESS HATCH					
NO.	DATE	BY	DATE	DWG. BY:	PLN. NO.
1			##/##/##	SCJ	CATA
REVISION	SCALE	CHK'D BY:	DWG. NO.		
NTS			CK-1		