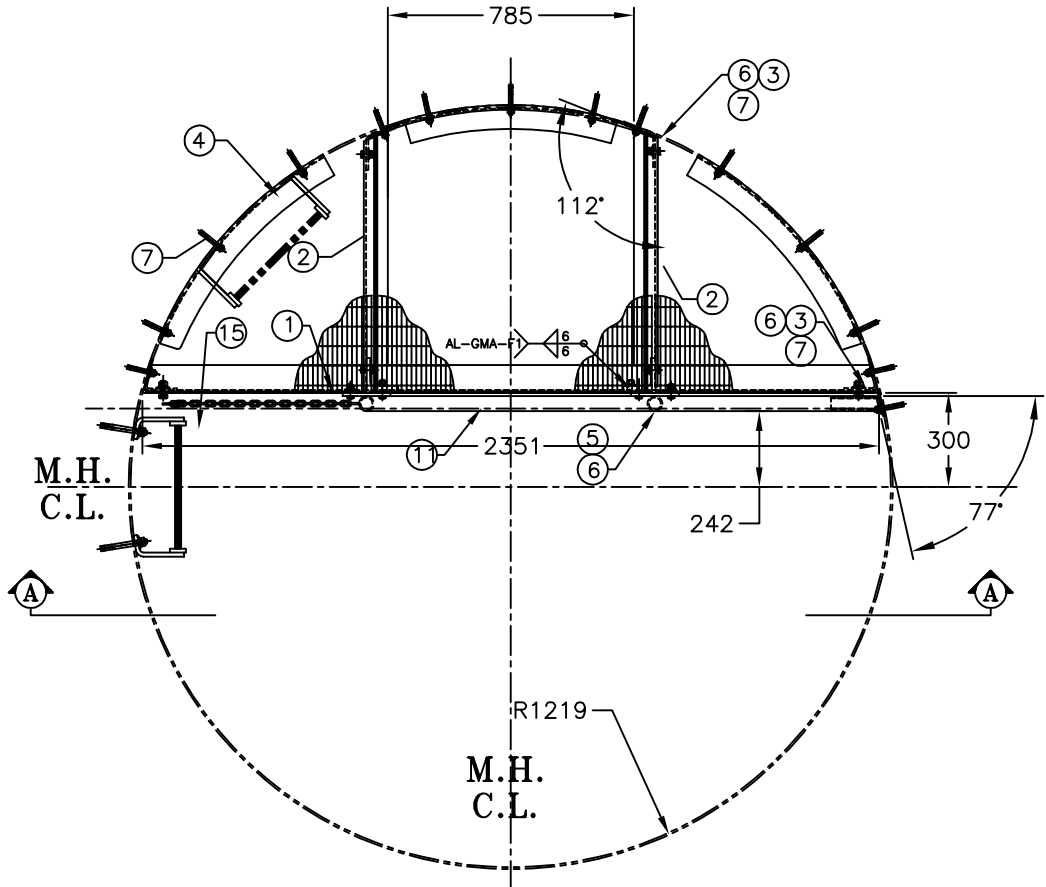
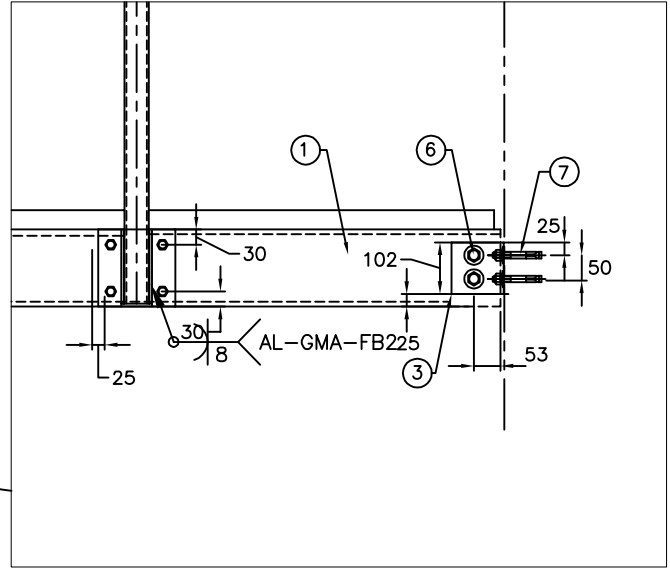


SIDE VIEW A-A



TOP VIEW

THIS DOCUMENT CONTAINS PROPRIETARY INFORMATION AND OTHER RIGHTS WHICH ARE THE SOLE AND EXCLUSIVE PROPERTY OF MSU MISSISSAUGA LTD.

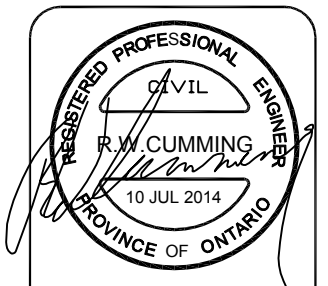
POSSESSION OF THIS MATERIAL DOES NOT CONVEY OR TRANSFER ANY RIGHTS THEREIN, AND REPRODUCTION, USE, COPYING OR DISCLOSURE TO OTHERS IS FORBIDDEN WITHOUT THE PRIOR WRITTEN CONSENT OF AN OFFICER OF MSU MISSISSAUGA LTD.

© MSU MISSISSAUGA LTD. - JULY 23RD, 2014

#	QTY.	MATERIAL	DESCRIPTION
1	1	ALUM. CSA H5A 6061-T6	C-CHANNEL 152 X 51 X 7mm
2	2	ALUM. CSA H5A 6061-T6	ANGLE 127 X 76 X 8mm LLV
3	6	STAINLESS STEEL 304	6mm THK. PLATE FORMED 102X102 ANGLE BRACKETS
4	3	ALUM. CSA H5A 6061-T6	76X76X10mm ANGLE FRAME ROLLED AND WELDED CONSTRUCTION
5	4	ALUM. CSA H5A 6061-T6	ANGLE 100 X 100 X 13 BRACKETS
6	16	STAINLESS STEEL 304	5/8 X 2" BOLT C/W FLAT NUT AND LOCK WASHER
7	22	STEEL 304 STAINLESS	1/2 X 3 3/4" WEDGE ANCHOR C/W FLAT NUT AND LOCK WASHER
8	3	ALUM. CSA H5A 6351-T6	BORDEN GRATE B#8 1 1/2 X 3/16" BANDED C/W SS HOLDDOWN CLIPS
9	4	ALUM. CSA H5A 6061-T6	6 X 3 X 3/8" SPLICE MOUNTING PLATES
10	8	STAINLESS STEEL 304	HILTI KWIK BOLT II 3/8"x3 3/4" C/W NUT, FLAT AND LOCK WASHER
11	AS REQ	ALUM. CSA H5A 6061-T6	1 1/2" SCH. 40 PIPE (1.9" O.D) POST AND RAILS
12	4	ALUM. CSA H5A 6061-T6	6" INTERNAL SPLICE CONNECTOR FASTENED WITH S.S. RIVET #66
13	8	STAINLESS STEEL 304	3/8 X 2" BOLT C/W NUT, FLAT AND LOCK WASHER
14	2	ALUM. CSA H5A 6061-T6	6" X 6" X 3/8" MOUNTING PLATE WELD TO 2" SCH. 80 SOCKET
15	2	STAINLESS STEEL 304	3/16" CHAIN c/w SNAP HOOK, DROPIN EYE ANCHOR, AND 1/4" ROD FORMED HOOP WELDED TO POST

NOTE:

- 1) ALL ALUMINUM SURFACES IN CONTACT WITH CONCRETE SHALL RECEIVE 2 COATS OF BITUMINOUS PAINT.
- 2) WELDING SHALL CONFORM TO CSA W47.2-R2008 CSA W59.2-R2008.
- 3) WELDED SURFACES REMAIN AS WELDED.
- 4) **THE SAFETY LANDING HAS BEEN DESIGNED TO WITHSTAND A LIVE LOAD OF 4.8KPa (100 LBS/SQ. FT.) UNIFORMLY DISTRIBUTED**



REVIEWED
 VIRTUAL#25617



PROJECT	LOCATION PROJECT
CONTRACTOR	CONTRACTOR
ARCHT/ENGR	ENGINEER
QTY.	PROJECT NO.
1 ASSEMBLY	#

TITLE					
φ2438mm (φ96") PUMPING STATION 1/2 ALUMINUM SAFETY LANDING					
NO.	DATE	BY	DATE	DWG. NO.	DWG. NO.
1				SCJ	CATA
SCALE				DWG. NO.	
NTS				GSL-1	