

REVIEWED
VIRTUAL 25287



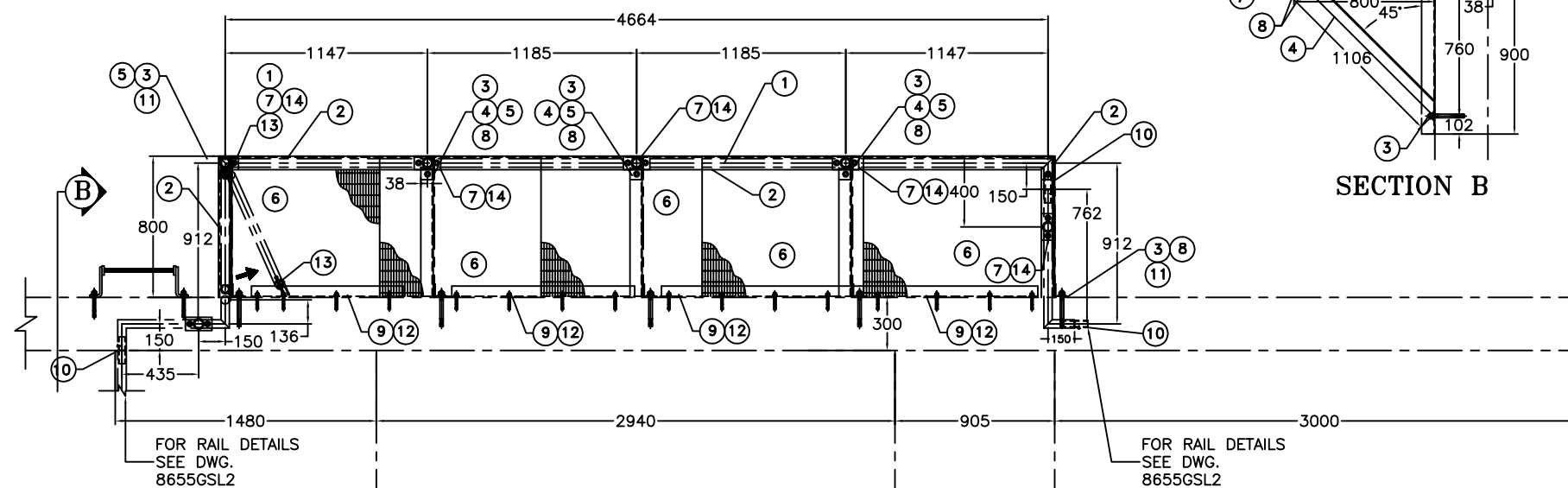
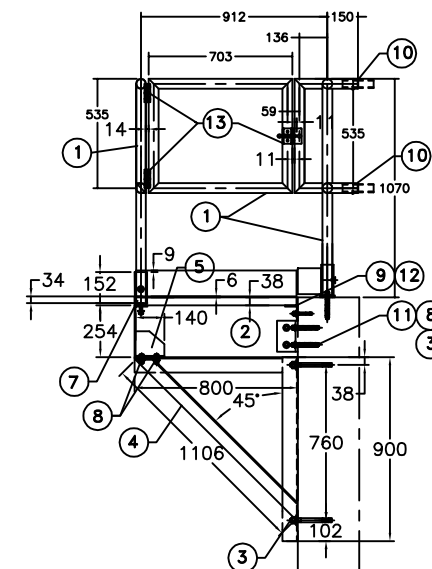
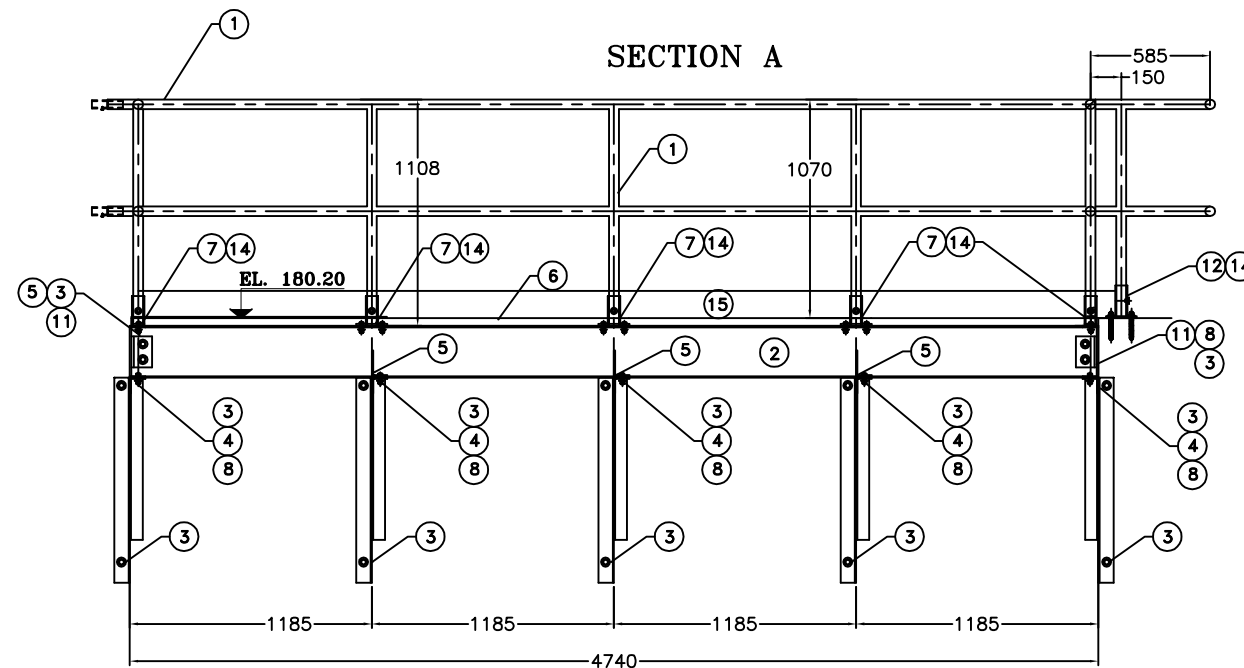
www.vecollective.com
15 WERTHEIM CRT., # 402 TEL: (905) 707-0704
RICHMOND HILL, ONTARIO L4B 3H7 1-(888) 337-9333
FAX: (905) 707-1604

MSU
MISSISSAUGA LTD.

PHONE: (905) 823-4340

WATTS: (800) 268-5336

WEBSITE: www.msumississauga.com



#	QTY.	MATERIAL	DESCRIPTION
1	AS REQ	ALUMINUM 6061-T6	1 1/2 SCH-40 PIPE 1.9 O.D.
2	3	ALUMINUM 6061-T6	C-254 X 76 X 7mm C-CHANNEL MAIN SUPPORTS WELDED
3	14	STAINLESS STEEL 316	16ø X 152MM ADHESIVE ANCHOR
4	5	ALUMINUM 6061-T6	1-76 X 76 X 6mm ANGLE WELD TO 2-64 X 64 X 6mm ANGLES FOR CANTILEVER SUPPORT
5	3	ALUMINUM 6061-T6	LL-127 X 76 X 6mm BRACKET WELD TO ITEM #6
6	6	FIBREGLASS GRATE	1 1/2" FRP GRATE BY OTHERS
7	5	ALUMINUM 6061-T6	2" SCH.80 SOCKETS C/W SCREW WELD TO 152X76X10 BASE PLATE
8	9	STAINLESS STEEL 316	5/8 X 2" HEX BOLT C/W NUT, LOCK AND FLAT WASHER
9	4	ALUMINUM 6061-T6	76 X 76 X 6MM ANGLE BRKT
10	6	ALUMINUM 6061-T6	RAIL SPLICE RIVETED
11	2	ALUMINUM 6061-T6	12 X 102 X 102 ANGLE BRACKET 203mm LG.
12	16	STAINLESS STEEL 316	12X95MM WEDGE ANCHOR C/W NUT, LOCK AND FLAT WASHER
13	1	ALUMINUM 6061-T6	2-SELF CLOSING GATE HINGE AND 1-STOP LATCH - JULIUS BLUM PART #782/3 & 784
14	10	STAINLESS STEEL 304	12øX44MM HEX BOLTS C/W NUT, LOCK AND FLAT WASHER
15	AS REQ	ALUMINUM 6061-T6	6X127MM KICK PLATE

NOTE: 1) ALL ALUMINUM SURFACES IN CONTACT WITH CONCRETE SHALL RECEIVE 2 COATS OF BITUMINOUS PAINT.
2) WELDING SHALL CONFORM TO CSA W47.2-R2008 CSA W59.2-R2008
3) GROUND ROUGH EDGES SMOOTH. WELDED SURFACES REMAIN AS WELDED.
4) THIS LANDING/STAIR HAS BEEN DESIGNED TO WITHSTAND A LIVE LOAD OF 4.8KPa (100 LBS./SQ. FT.) WITH MAX. DEFLECTION OF 1/150 OF THE SPAN HANDRAILS HAVE BEEN DESIGNED IN ACCORDANCE WITH THE OBC 4.1.10.1 (1) (c) & (2) & (4)

PROJECT	LOCATION
CONTRACTOR	PROJECT
ARCHT/ENGR	CONTRACTOR
QTY.	ENGINEER
1 ASSEMBLY	PROJECT NO. #

TITLE					
MSU CANTELEVERED PLATFORM C/W					
1 1/2 SCH-40 RAILING					
NO.	DATE	BY	DATE	DWG. BY:	PL. NO.
1			##/##/##	SCJ	CATA
SCALE				DWC. NO.	
NTS				GSL-5	

THIS DOCUMENT CONTAINS PROPRIETARY INFORMATION AND OTHER RIGHTS WHICH ARE THE SOLE AND EXCLUSIVE PROPERTY OF MSU MISSISSAUGA LTD.

POSSESSION OF THIS MATERIAL DOES NOT CONVEY OR TRANSFER ANY RIGHTS THEREIN, AND REPRODUCTION, USE, COPYING OR DISCLOSURE TO OTHERS IS FORBIDDEN WITHOUT THE PRIOR WRITTEN CONSENT OF AN OFFICER OF MSU MISSISSAUGA LTD.