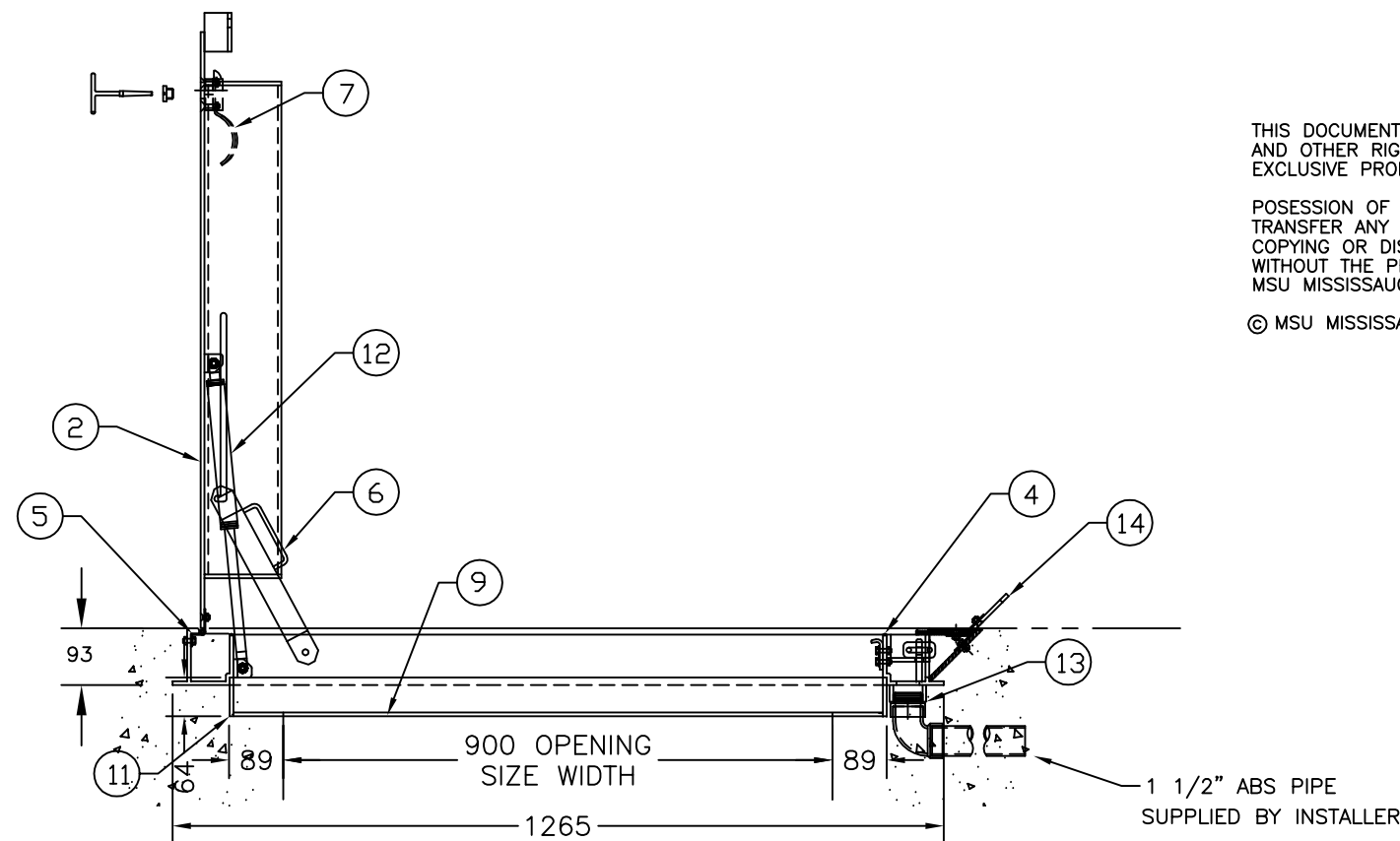
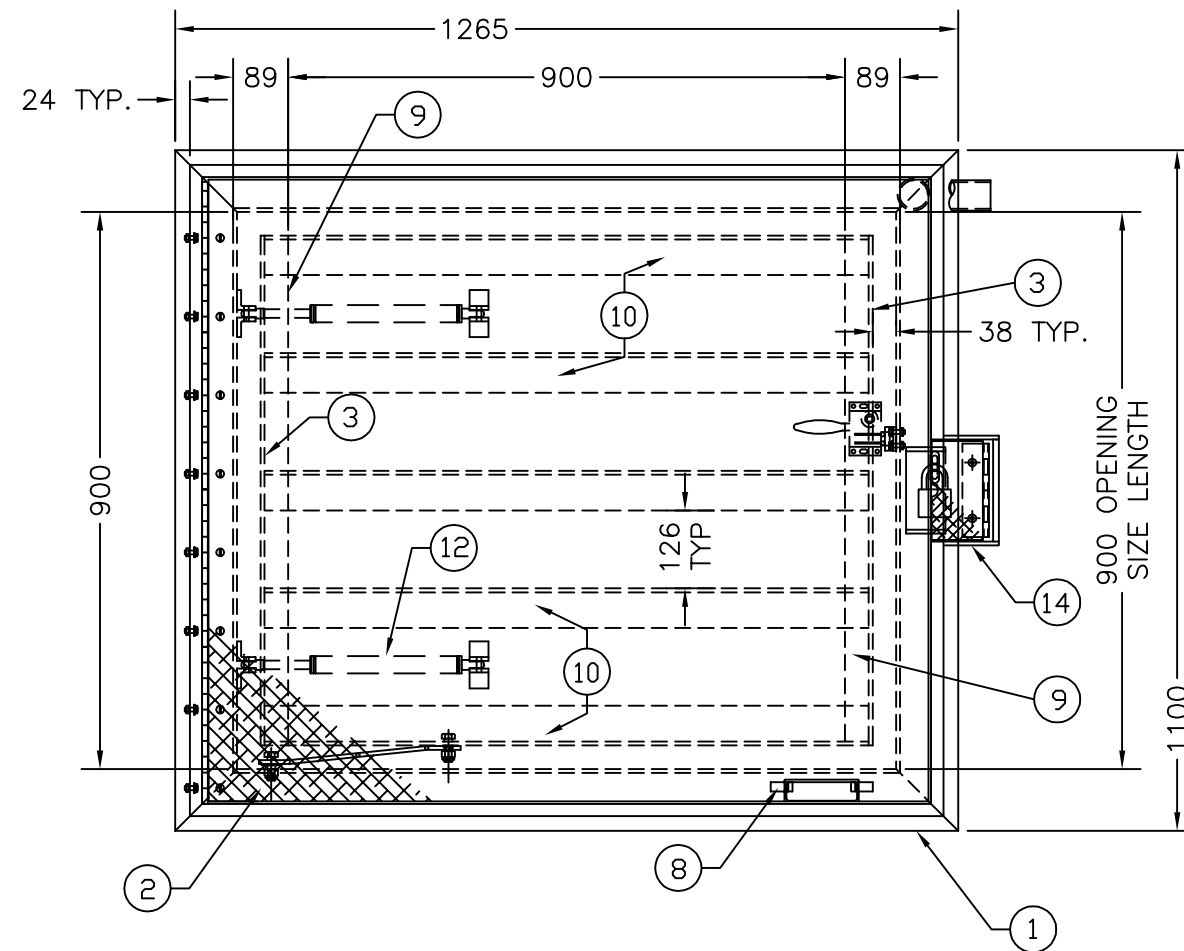


**MSU  
MISSISSAUGA LTD.**

PHONE: (905) 823-4340

WATTS: (800) 268-5336

WEBSITE: [www.msumississauga.com](http://www.msumississauga.com)



THIS DOCUMENT CONTAINS PROPRIETARY INFORMATION AND OTHER RIGHTS WHICH ARE THE SOLE AND EXCLUSIVE PROPERTY OF MSU MISSISSAUGA LTD.

POSSESSION OF THIS MATERIAL DOES NOT CONVEY OR TRANSFER ANY RIGHTS THEREIN, AND REPRODUCTION, USE, COPYING OR DISCLOSURE TO OTHERS IS FORBIDDEN WITHOUT THE PRIOR WRITTEN CONSENT OF AN OFFICER OF MSU MISSISSAUGA LTD.

© MSU MISSISSAUGA LTD. - JULY 23RD, 2014

#	QTY.	MATERIAL	DESCRIPTION
1	4	ALUMINUM 6351-T6	FRAME EXTRUSION #P5709-1
2	1	ALUMINUM 6061-T6	1/4" TREAD PLATE
3	2	ALUMINUM 6061-T6	1/4" X 5" FLAT BAR REINFORCING
4	1	BLACK CORD NEOPRENE	PERIMETER SEALING GASKET
5	1	STAINLESS STEEL 316	CONTINUOUS FORMED HINGE C/W 1/4" TAMPERPROOF FASTENERS
6	1	STAINLESS STEEL 316	90 DEG. HOLD OPEN ARM C/W 1/4"Ø ROD FORMED HANDLE
7	1	STAINLESS STEEL 316	SLAM LOCK C/W ALUM. REMOVABLE SEALING PLUG AND OPENING TOOL
8	1	ALUM. CSA H5A 6061-T6	FLUSH LIFT HANDLE
9	2	ALUM. CSA H5A 6061-T6	ANGLE 64 X 89 X 6
10	5	ALUM. CSA H5A 6061-T6	C-CHANNEL 127 X 64 X 6.4 X 9.5
11	2	ALUM. CSA H5A 6061-T6	64 X 6MM FLAT BAR
12	2	STAINLESS STEEL 316	GAS SPRING ASSIST CYLINDER C/W ALUM. MOUNTING BRACKETS
13	1	ALUMINUM 6061-T6	1 1/2" NOM. PIPE HALF-COUPLING C/W 1 1/2" ABS ADAPTER/ELBOW
14	1	ALUM. CSA H5A 6061-T6	INTERNAL FLUSH/RECESSED LOCK BOX

- NOTE: 1. ALL ALUMINUM SURFACES IN CONTACT WITH CONCRETE SHALL RECEIVE 2 COATS OF BITUMINOUS PAINT.
2. WELDING SHALL CONFORM TO CSA 47.2 & CSA W59.2
3. WELDED SURFACES REMAIN AS WELDED.
4. HATCH IS DESIGNED WITH A CL-625-ONT WHEEL LOAD PER CLAUSE 3.8.4.3(g) OF CAN/CSA-S6-06, AND INCLUDES AN IMPACT FACTOR OF 15% FOR AN OFF HIGHWAY LOCATION
5. MSU ACCEPTS NO RESPONSIBILITY FOR THE DESIGN OF THE CONCRETE HOUSING THE HATCH.

PROJECT	LOCATION PROJECT
CONTRACTOR	CONTRACTOR
ARCHT/ENGR	ENGINEER
QTY.	PROJECT NO.
1	#

TITLE						MSU M-CL625 ALUM. ACCESS HATCH	
						900 X 900	
NO.	DATE	BY	DATE	DWG. BY	PL. NO.	CATA	
1				SCJ			
SCALE				NTS		DWG. NO. MCL-625-1	