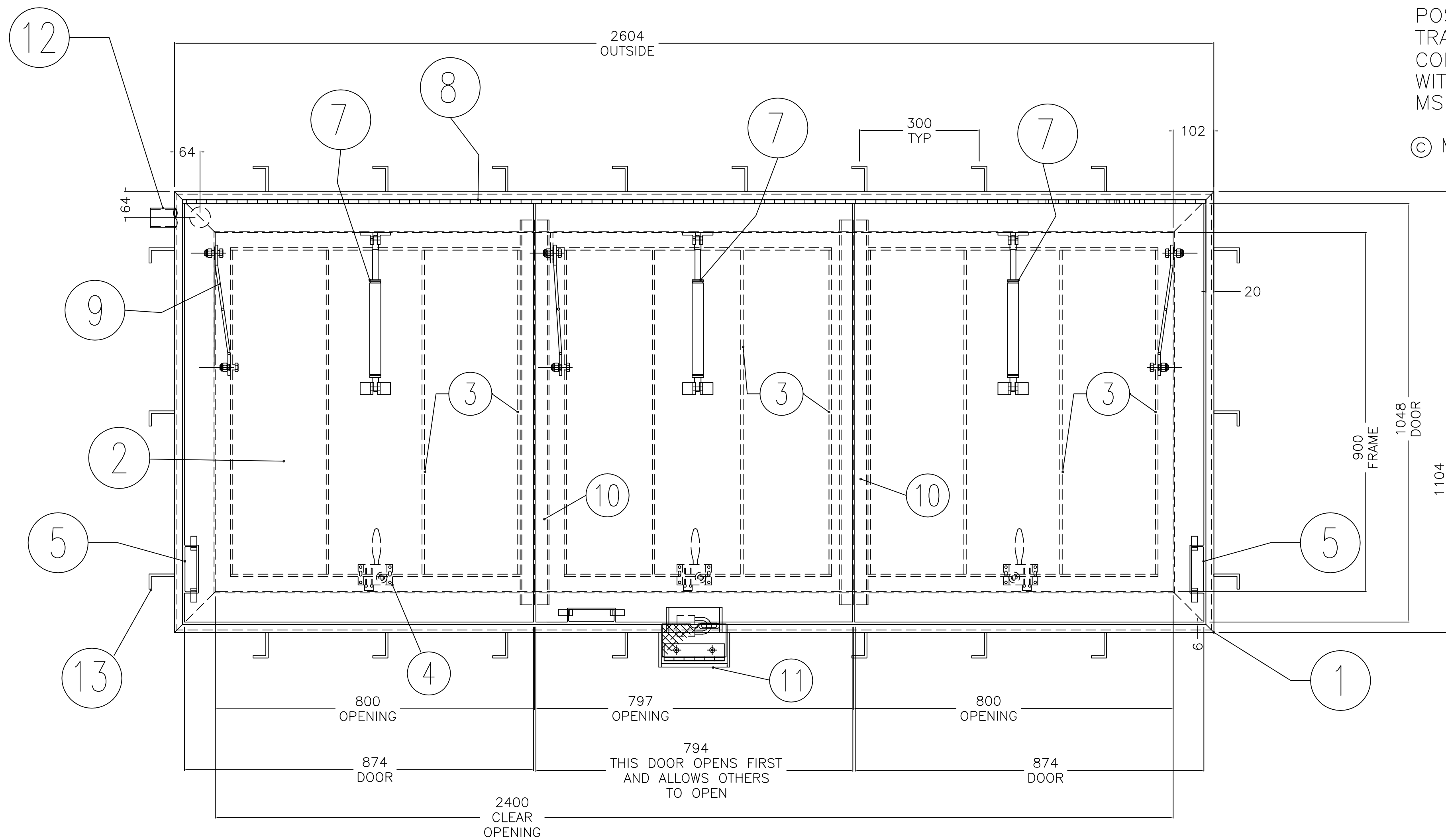
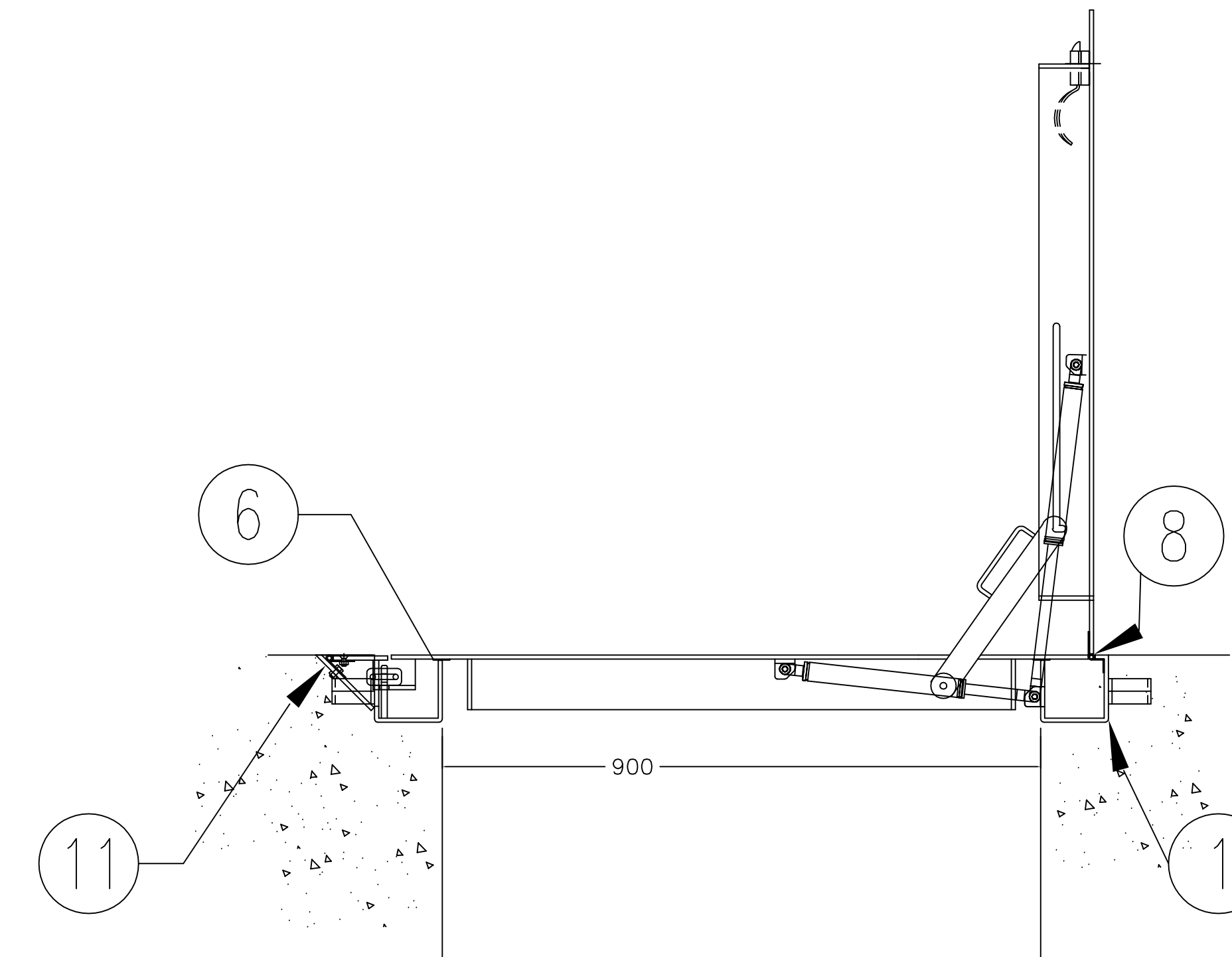
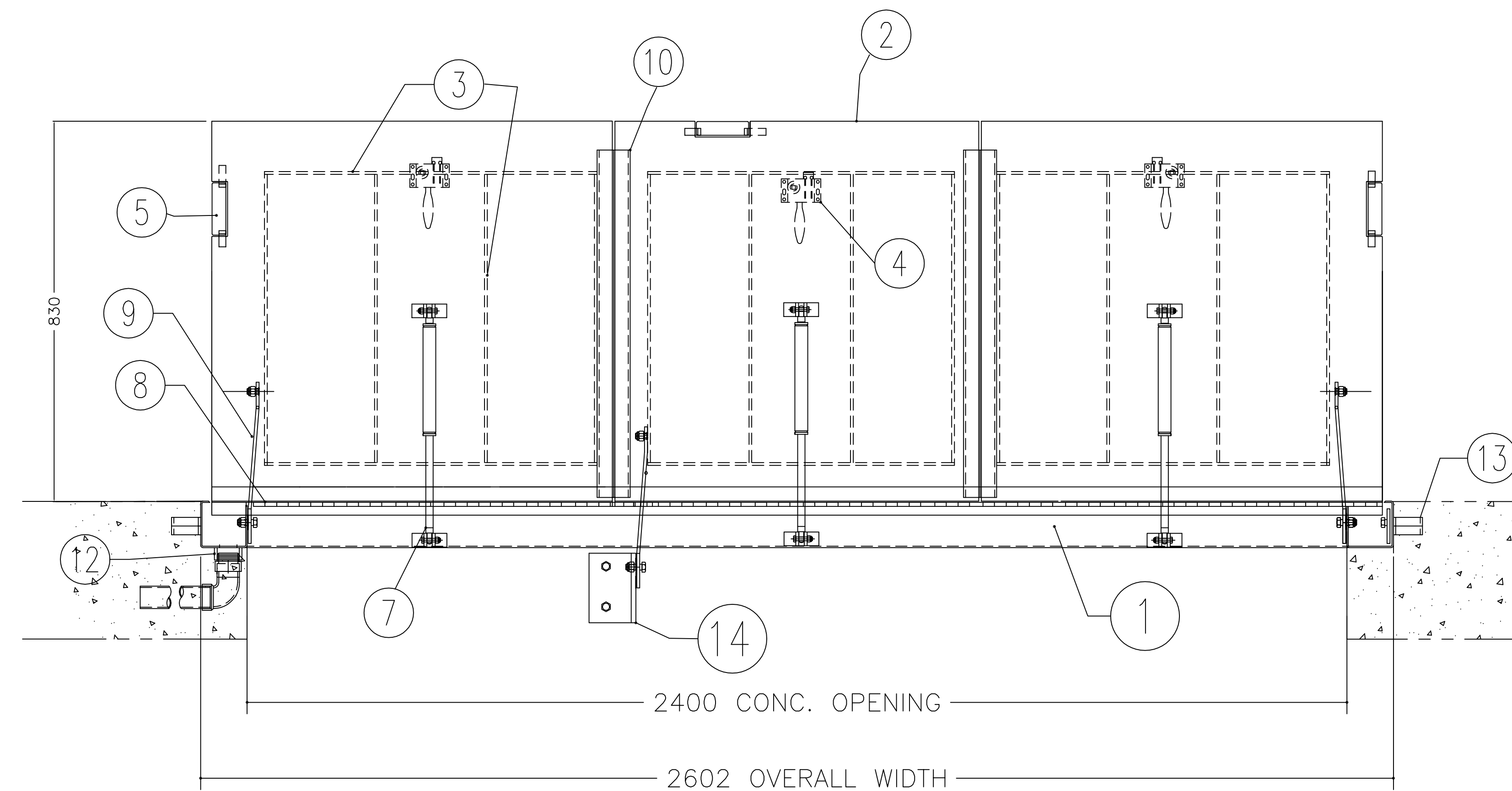
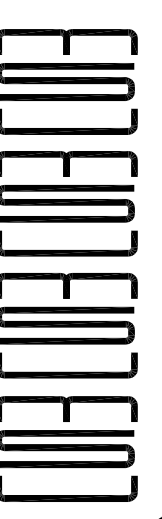


**MSU  
MISSISSAUGA LTD.**

PHONE: (905) 823-4340

WATTS: (800) 268-5336

WEBSITE: www.msmississauga.com



THIS DOCUMENT CONTAINS PROPRIETARY INFORMATION AND OTHER RIGHTS WHICH ARE THE SOLE AND EXCLUSIVE PROPERTY OF MSU MISSISSAUGA LTD.

POSSESSION OF THIS MATERIAL DOES NOT CONVEY OR TRANSFER ANY RIGHTS THEREIN, AND REPRODUCTION, USE, COPYING OR DISCLOSURE TO OTHERS IS FORBIDDEN WITHOUT THE PRIOR WRITTEN CONSENT OF AN OFFICER OF MSU MISSISSAUGA LTD.

© MSU MISSISSAUGA LTD. - JULY 23RD, 2014

#	QTY.	MATERIAL	DESCRIPTION
1	4	STAINLESS STEEL 304	4 X 4 X 1/4 SQUARE TUBE FRAME WELD TO ITEM #10
2	3	STAINLESS STEEL 304	1/4" TREAD PLATE
3	18	STAINLESS STEEL 304	1/4" X 3" REINFORCING WELD TO ITEM #11 & #10
4	3	STAINLESS STEEL 304	SLAM LOCK C/W ALUM. REMOVEABLE SEALING PLUG AND OPENING TOOL
5	3	STAINLESS STEEL 304	FLUSH LIFT HANDLE
6	4	BLACK NEOPRENE	PERIMETER SEALING GASKET 1/8X1"
7	3	STAINLESS STEEL 316	GAS SPRING ASSIST CYLINDER C/W SS. MOUNTING BRACKETS
8	3	STAINLESS STEEL 316	CONTINUOUS FORMED HINGE C/W WELED TO ITEMS #1 & #2
9	3	STAINLESS STEEL 316	90 DEG. HOLD OPEN ARM C/W 1/4"Ø ROD FORMED HANDLE
10	2	STAINLESS STEEL 304	2 X 2 DRIP ANGLE WELD TO ITEM #2
11	1	STAINLESS STEEL 304	RECESSED PADLOCK HASP WELD TO ITEM #1
12	1	STAINLESS STEEL 304	1 1/2" NOM. PIPE HALF-COUPLING C/W 1 1/2" ABS ADAPTER/ELBOW
13	21	STAINLESS STEEL 304	CAST ANCHOR 1/4X1 1/2 X 2 1/2 1 1/2 WIDE
14	1	STAINLESS STEEL 304	4 X 4 X 1/4 REMOVABLE ANGLE BRACKET FOR HOLD OPEN ARM

NOTE:

- 1) WELDING SHALL CONFORM TO CSA W47.1 & AWS D1.6
- 2) WELDED SURFACES REMAIN AS WELDED.
- 3) REINFORCED TO WITHSTAND A LIVE LOAD OF 250 LBS/SQ.FT (12.0KPa) WITH MAX. DEFLECTION OF 1/180th OF THE SPAN.
- 4) 1-1/2" ABS PIPE SUPPLIED BY INSTALLER. ITEM #12 CAST-IN WITH HATCH

REGISTERED PROFESSIONAL ENGINEER  
CIVIL  
R.W. CUMMING  
AUG 18, 2011  
PROVINCE OF ONTARIO

**REVIEWED**  
VIRTUAL#25400

**VIRTUAL**  
engineers  
Consulting Engineers

www.vecollective.com  
15 WERTHEIM CRT. # 402 TEL: (905) 707-0704  
RICHMOND HILL, ONTARIO L4B 3H7 1-(866) 337-9333  
FAX: (905) 707-1604

1) FRAME IS ONE PIECE WITH REMOVABLE HOLD OPEN ARM FOR MIDDLE DOOR.

PROJECT	LOCATION PROJECT
CONTRACTOR	CONTRACTOR
ARCH'T/ENG'R	ENGINEER
QTY. 1	PROJECT NO. #

TITLE MSU STAINLESS STEEL ACCESS HATCH FOR TYPE-MT 900 X 2400MM TRIPLE DOOR					
REVISION	NO.	DATE	BY	DATE	PL.NO.
△				##/##/##	CATA
△					
				DWG. BY: SCJ	DWG. NO.
					MSS-4