

#	QTY.	MATERIAL	DESCRIPTION
1	2	ALUM. CSA H5A 6351-T6	76 X 76 X 13 ANGLE 6-3174 ALUMINUM EXTRUSION
2	30	ALUM. CSA H5A 6063-T6	40 WIDE X 40 DP. RUNG 6-8417 ALUMINUM EXTRUSION
3	4	ALUM. CSA H5A 6063-T6	34 WIDE X 54 DP. SIDE RAIL 6-8387 ALUMINUM EXTRUSION
4	120	ALUMINUM	AB64A BLIND RIVET
5	4	STAINLESS STEEL 304	1/2"x3 3/4" WEDGE ANCHOR c/w NUT, FLAT & LOCK WASHERS

THIS DOCUMENT CONTAINS PROPRIETARY INFORMATION AND OTHER RIGHTS WHICH ARE THE SOLE AND EXCLUSIVE PROPERTY OF MSU MISSISSAUGA LTD.

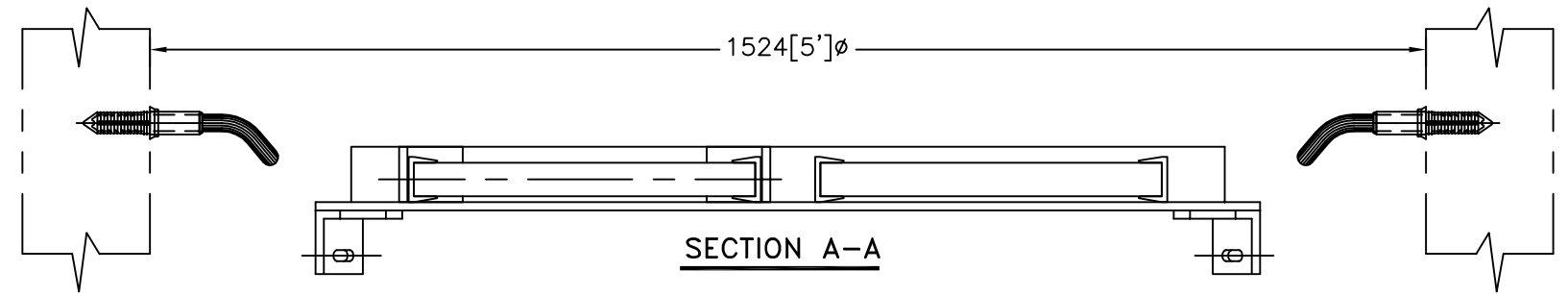
POSSESSION OF THIS MATERIAL DOES NOT CONVEY OR TRANSFER ANY RIGHTS THEREIN, AND REPRODUCTION, USE, COPYING OR DISCLOSURE TO OTHERS IS FORBIDDEN WITHOUT THE PRIOR WRITTEN CONSENT OF AN OFFICER OF MSU MISSISSAUGA LTD.

© MSU MISSISSAUGA LTD. - JULY 23RD, 2014

NOTE: 1. ALL ALUMINUM SURFACES IN CONTACT WITH CONCRETE SHALL RECEIVE 2 COATS OF BITUMINOUS PAINT.

2. WELDING SHALL CONFORM TO CSA W47.2 & CSA W59.2

3. ALL HINGE BRACKETS AND MOUNTING BRACKETS ARE WELDED TO SUPPORT ANGLE, ITEM 1.



PROJECT	LOCATION PROJECT
CONTRACTOR	CONTRACTOR
ARCHT/ENGR	ENGINEER
CITY: #	PROJECT NO. #

TITLE						MSU MANHOLE SAFETY LANDING 60" (1524mm)Ø					
NO.	DATE	BY	DATE	DWG. BY	PL. NO.	NO.	DATE	BY	DATE	DWG. BY	PL. NO.
1				SCJ	CATA						
SCALE				NTS		CHK'D BY		RSL-2			