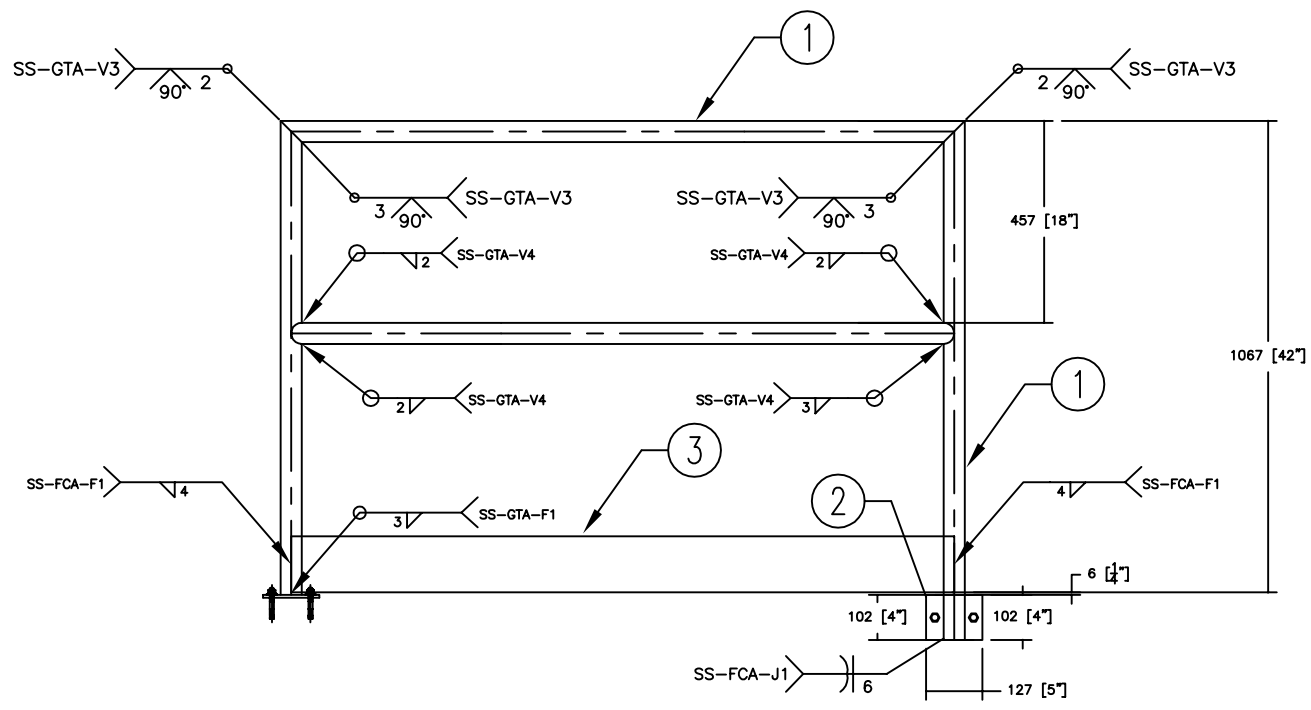


**MSU
MISSISSAUGA LTD.**
 PHONE: (905) 823-4340
 WATTS: (800) 268-5336
 www.msmississauga.com



**GUARDRAIL IS DESIGNED PER OBC
 4.1.5.15 TO WITHSTAND A HORIZONTAL
 0.75KN/M OR 1KN AND A VERTICAL
 1.5KN/M ON TOP RAIL NON-CONCURRENT.**

THIS DOCUMENT CONTAINS PROPRIETARY INFORMATION
 AND OTHER RIGHTS WHICH ARE THE SOLE AND
 EXCLUSIVE PROPERTY OF MSU MISSISSAUGA LTD.

POSSESSION OF THIS MATERIAL DOES NOT CONVEY OR
 TRANSFER ANY RIGHTS THEREIN, AND REPRODUCTION, USE,
 COPYING OR DISCLOSURE TO OTHERS IS FORBIDDEN
 WITHOUT THE PRIOR WRITTEN CONSENT OF AN OFFICER OF
 MSU MISSISSAUGA LTD.

© MSU MISSISSAUGA LTD. - JULY 23RD, 2014

#	QTY.	MATERIAL	DESCRIPTION
1	AS REQ	STAINLESS STEEL 304	1-1/2" SCH 40 PIPE (1.9" OD)
2	AS REQ	STAINLESS STEEL 304	4 X 5 X 3/16" BASE PLATES C/W 9/16" DIA. HOLES
3	AS REQ	STAINLESS STEEL 304	3/16" X 5 FB KICK PLATE
4	AS REQ	STAINLESS STEEL 304	2" SCH 80 PIPE SOCKET(2" ID) C/W 4 X 4 X 3/16" BASE PLATES

WELDING SHALL CONFORM TO CSA W47.1 & AWS D1.6

PROJECT	PROJECT LOCATION	
CONTRACTOR	CONTRACTOR	
ARCHT/ENGR	ENGINEER	
QTY.	1	WORK ORDER NO.

TITLE		
STAINLESS STEEL RAILING CWB WELD DETAIL DRAWING		
DATE	DWG. BY:	DWG. NO.
#/#/#	SCJ	
SCALE	CHK'D BY:	SSRAIL
NTS		