

- NOTE:
1. ALL ALUMINUM SURFACES IN CONTACT WITH CONCRETE SHALL RECEIVE 2 COATS OF BITUMINOUS PAINT.
  2. WELDING SHALL CONFORM TO CSA-W47.2 (R2008) & CSA W59.2 (R2008)
  3. WELDED SURFACES REMAIN AS WELDED.
  4. WELDING SHALL CONFORM TO CSA W47.1 & AWS D1.6
  5. ALL ALUMINUM SURFACES IN CONTACT WITH CONCRETE SHALL RECEIVE 2 COATS OF BITUMINOUS PAINT.
  6. WELDED SURFACES REMAIN AS WELDED.
  7. BASKET WEIGHT APPROX. 550 LBS. DESIGNED WITH A SAFETY FACTOR OF 2 HOOKS, CHAIN, DAVIT BY OTHERS
  7. MATERIAL MILL CERTIFICATES SUPPLIED PRIOR TO DELIVERY

REGISTERED PROFESSIONAL ENGINEER  
CIVIL  
R.M. CUMMING  
14 MAR 2014  
PROVINCE OF ONTARIO

REVIEWED  
VIRTUAL#25581

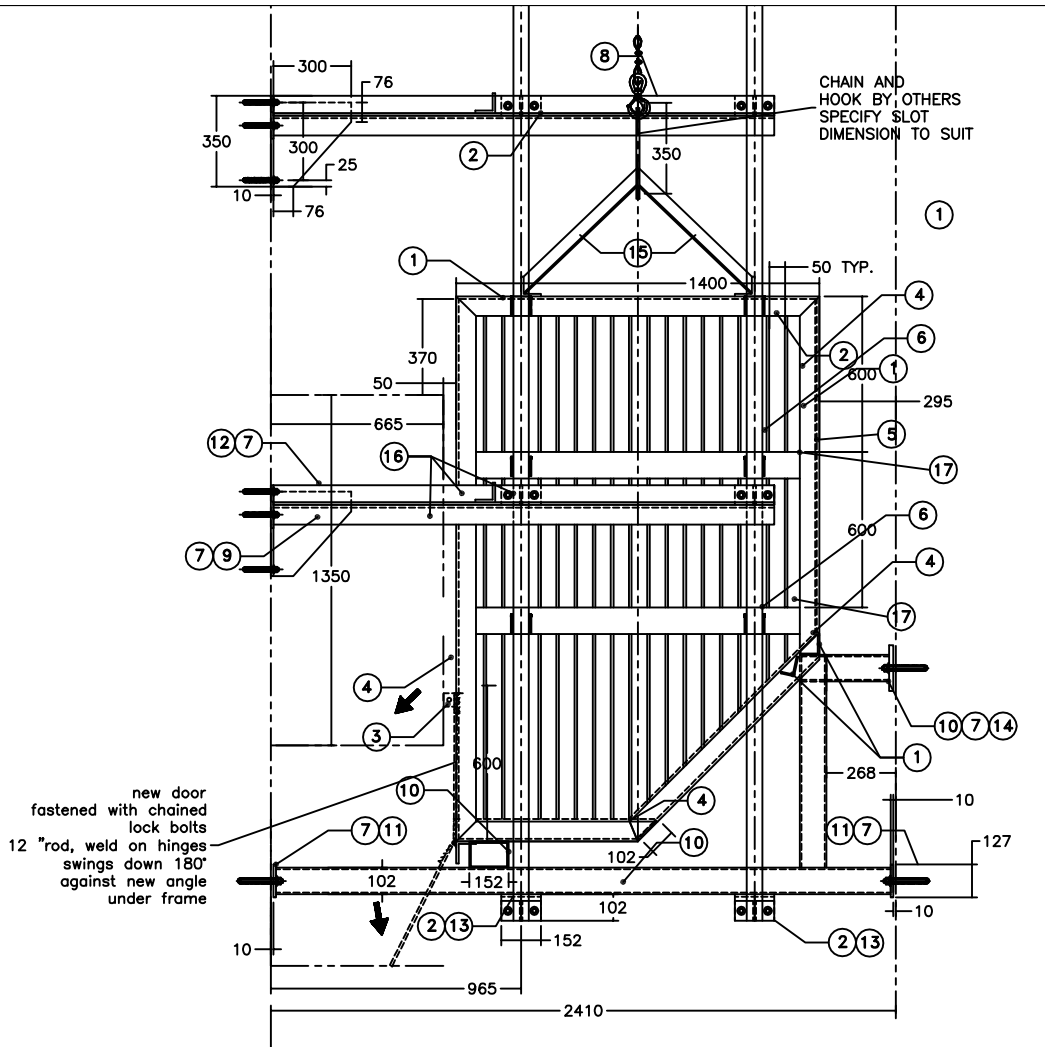
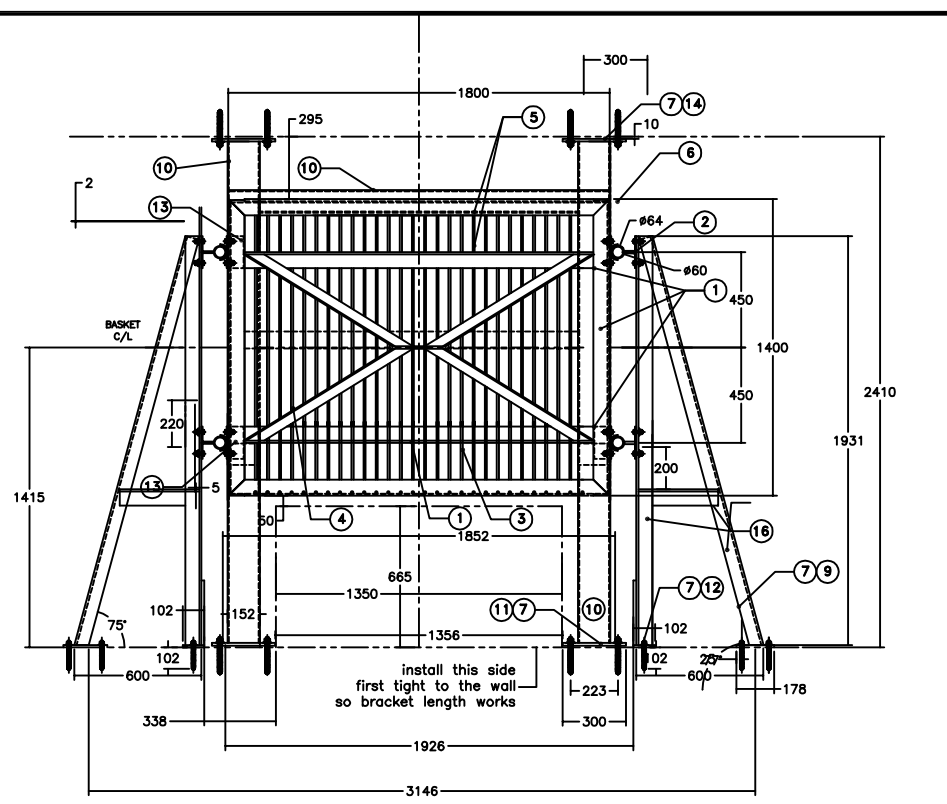
**VIRTUAL**  
engineers  
Consulting Engineers

www.virtual-engineers.com  
200 TOWN CENTRE BLVD. SUITE 203 TEL: (905) 707-0704  
MARKHAM, ONTARIO L3R 8G5 FAX: (905) 475-1605

THIS DOCUMENT CONTAINS PROPRIETARY INFORMATION AND OTHER RIGHTS WHICH ARE THE SOLE AND EXCLUSIVE PROPERTY OF MSU MISSISSAUGA LTD.

POSSESSION OF THIS MATERIAL DOES NOT CONVEY OR TRANSFER ANY RIGHTS THEREIN, AND REPRODUCTION, USE, COPYING OR DISCLOSURE TO OTHERS IS FORBIDDEN WITHOUT THE PRIOR WRITTEN CONSENT OF AN OFFICER OF MSU MISSISSAUGA LTD.

© MSU MISSISSAUGA LTD. - JULY 23RD, 2014



**MSU**  
**MISSISSAUGA LTD.**

PHONE: (905) 823-4340  
WATTS: (800) 268-5336  
www.msmississauga.com

#	QTY.	MAT'L	DESCRIPTION
1	16	ALUMINUM 6061-T6 B221-12	76X76X10MM ANGLE FRAME WELD TO ITEM # 4 & #15
2	4	STAINLESS STEEL 316 ASTM A312-12A	1-2" SCH.40 PIPE 60MM O.D. WELD TO 8-51X76X5MM DOUBLE ANGLES C/W 16-12ØX44MM BOLTS & NUTS
3	AS REQ	ALUMINUM 6061-T6 B221-12	12Ø ROD 700MM LG. WELD TO ITEM #1
4	AS REQ	ALUMINUM 6061-T6 B221-12	FLAT BAR 51 X 10 SLATS WELD TO ITEM #1 70MM C/C
5	1	ALUMINUM 6061-T6 B221-12	6MM BACK PLATE TO ITEM #1
6	12	ALUMINUM 6061-T6 B221-12	2 1/2" SCH. 40 1/2 PIPE BRACKET WELD TO ITEM #17 3MM GAP MIN.
7	66	STAINLESS STEEL 316 ASTM BB	12Ø X127MM ADHESIVE ANCHORS 89MM EMBED C/W NUTS, WASHERS
8	1	ALUMINUM 6061-T6 B221-12	CHAIN HOOKING PLATE 350X200X12MM SPECIFY HOOK SLOT
9	14	STAINLESS STEEL 316 ASTM A793	102X178X10MM BASE PLATE WELD TO ITEM #16
10	7	ALUMINUM 6061-T6 B221-12	152X102X6MM HSS RECT. TUBE WELD TO ITEM #11, #14 & #10 STOP
11	4	ALUMINUM 6061-T6 B221-12	127X300X10MM BASE PLATE WELD TO ITEM #10
12	14	STAINLESS STEEL 316 ASTM A793	300X300X10MM BASE PLATE WELD TO 102X350X10MM BASE PLATE WELD TO ITEM #16
13	4	ALUMINUM 6061-T6 B221-12	102X76X6MM ANGLE BKT. LLV WELD TO ITEM #10 UNDERSIDE
14	2	ALUMINUM 6061-T6 B221-12	127X300X16MM BASE PLATE WELD TO ITEM #10
15	4	ALUMINUM 6061-T6 B221-12	51X51X10MM ANGLE BRACE WELD TO ITEM #1 & #8
16	42	STAINLESS STEEL 316 ASTM A 276	76X76X10MM ANGLE WELD TO ITEM #16 AND ITEM #12
17	6	ALUMINUM 6061-T6 B221-12	102X10MM FLAT BAR WELD TO ITEM #1 & #4

PROJECT	LOCATION
CONTRACTOR	PROJECT
ARCHT/ENG'R	CONTRACTOR
QTY.	ENGINEER
1	PROJECT NO. #

TITLE		
TRASH BASKET AND GUIDE BAR RETRACTABLE SYSTEM		
DATE	DWG. BY:	DWG. NO.
##/##/##	SCJ	CATA
SCALE	CHK'D BY:	TB-2
NTS		