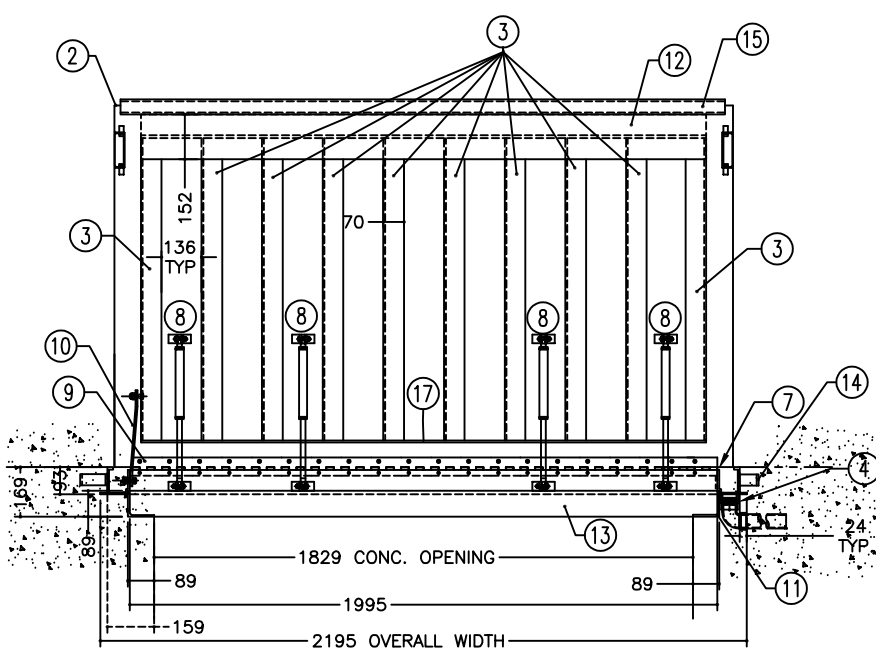
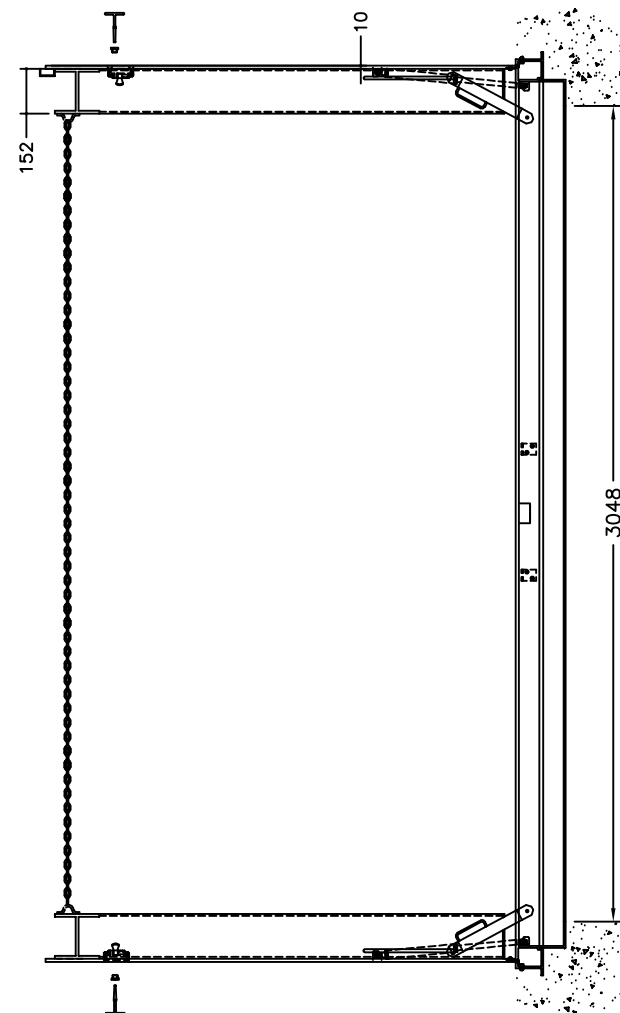
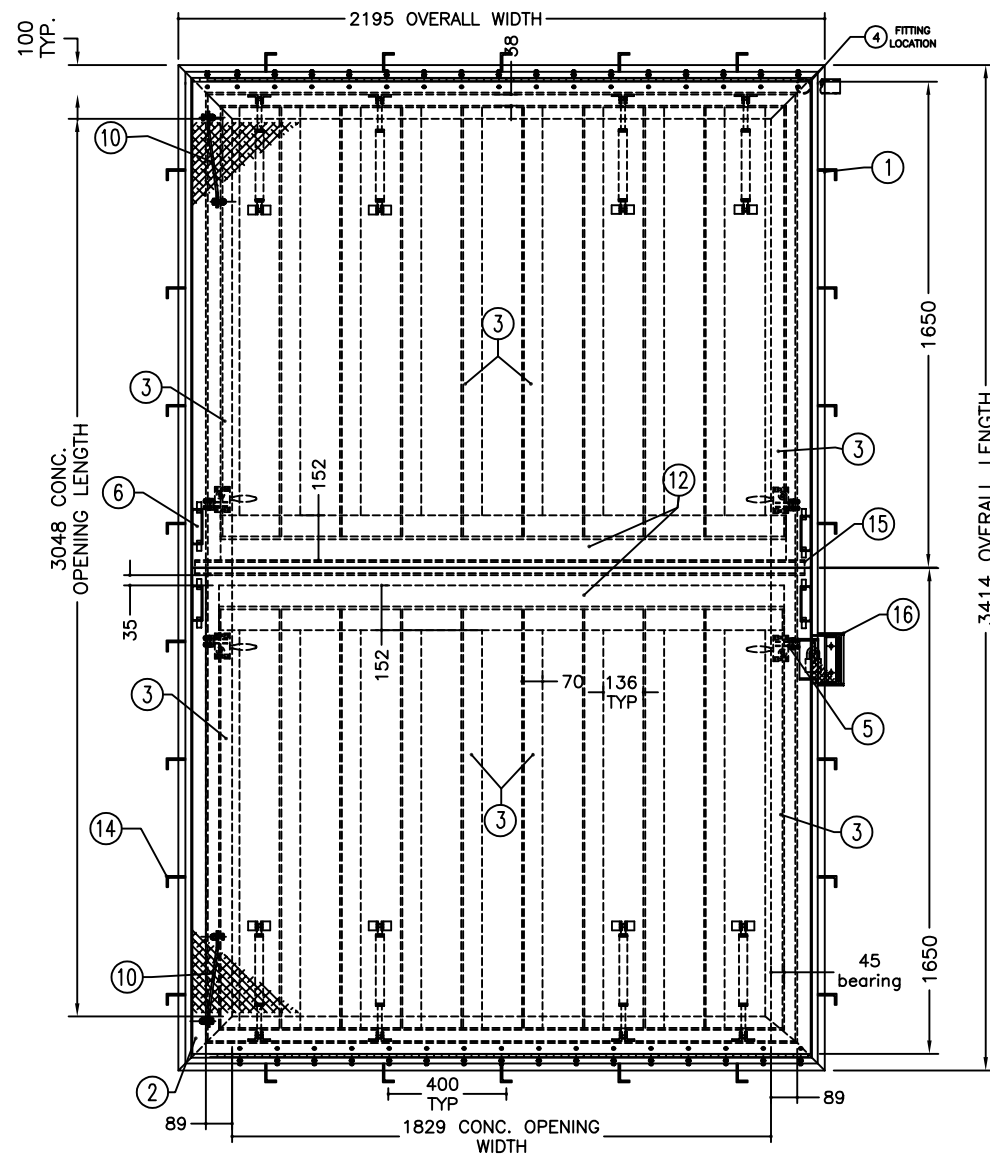


**MSU
MISSISSAUGA LTD.**

PHONE: (905) 823-4340

WATTS: (800) 268-5336

WEBSITE: www.msmississauga.com



THIS DOCUMENT CONTAINS PROPRIETARY INFORMATION AND OTHER RIGHTS WHICH ARE THE SOLE AND EXCLUSIVE PROPERTY OF MSU MISSISSAUGA LTD.

POSSESSION OF THIS MATERIAL DOES NOT CONVEY OR TRANSFER ANY RIGHTS THEREIN, AND REPRODUCTION, USE, COPYING OR DISCLOSURE TO OTHERS IS FORBIDDEN WITHOUT THE PRIOR WRITTEN CONSENT OF AN OFFICER OF MSU MISSISSAUGA LTD.

© MSU MISSISSAUGA LTD. - JULY 23RD, 2014



NOTE:

1. ALL ALUMINUM SURFACES IN CONTACT WITH CONCRETE SHALL RECEIVE 2 COATS OF BITUMINOUS PAINT.
2. WELDING SHALL CONFORM TO CSA 47.2 & CSA W59.2
3. WELDED SURFACES REMAIN AS WELDED.
4. HATCH IS DESIGNED WITH A H-20(142KN) WHEEL LOAD PER CLAUSE 3.8.4.3(A) OF CAN/CSA-S6
5. MSU ACCEPTS NO RESPONSIBILITY FOR THE DESIGN OF THE CONCRETE HOUSING THE HATCH.
6. ALL FASTENERS ARE 316 STAINLESS STEEL.
7. 1-1/2" ABS PIPE SUPPLIED BY INSTALLER.
8. NUMBER OF GAS CYLINDERS MAY VARY DEPENDING ON WEIGHT OF DOORS.

#	QTY.	MATERIAL	DESCRIPTION
1	4	ALUM. CSA H5A 6351-T6	FRAME EXTRUSION #P5709-1
2	2	ALUM. CSA H5A 6061-T6	6mm THK. TREAD PLATE
3	20	ALUM. CSA H5A 6061-T6	152 X 70 X 6.4 X 9.5MM CHANNEL
4	1	ALUM. CSA H5A 6061-T6	1-1/2" NOM. PIPE HALF-COUPLING C/W 1-1/2" ABS ADAPTER/ELBOW
5	4	STAINLESS STEEL 316	SLAM LOCK C/W SEALED KEY LOCK AND OPENING TOOL
6	4	ALUM. CSA H5A 6061-T6	FLUSH LIFT HANDLE
7	1	BLACK CORD NEOPRENE	PERIMETER SEALING GASKET
8	8	STAINLESS STEEL 316	GAS SPRING ASSIST CYLINDER C/W ALUM. MOUNTING BRACKETS
9	2	STAINLESS STEEL 316	CONTINUOUS FORMED HINGE C/W 1/4" TAMPERPROOF FASTENERS
10	2	STAINLESS STEEL 316	90 DEG. HOLD OPEN ARM C/W 1/4"Ø ROD FORMED HANDLE
11	4	ALUM. CSA H5A 6061-T6	ANGLE 89 X 89 X 6 TO BE WELDED U/S FRAME AS DETAILED
12	2	ALUM. CSA H5A 6061-T6	152X152X10mm H-BEAM SUPPORT
13	2	ALUM. CSA H5A 6061-T6	89X6.4mm FLAT BAR WELD TO U/S THE FRAME AS DETAILED.
14	32	ALUM. CSA H5A 6061-T6	64X38X6mm CAST IN ANCHOR
15	1	ALUM. CSA H5A 6061-T6	50X25X3.2mm DRIP CHANNEL
16	1	ALUM. CSA H5A 6061-T6	RECESSED PADLOCK HASP
17	2	ALUM. CSA H5A 6061-T6	152 x 6mm FB

PROJECT	LOCATION PROJECT
CONTRACTOR	CONTRACTOR
ARCHT/ENGR	ENGINEER
QTY.	PROJECT NO.
1	#

TITLE					
MD-H20 ALUM. ACCESS HATCH FOR 3048mm x 1829mm CLEAR OPENING					
NO.	DATE	BY	DATE	DWG. BY:	PL. NO.
1				SCJ	CATA
SCALE			DWC. NO.		
NTS			MH20-2		